

# ExpressRadiant Ltd.



PRODUCT CATALOGUE

April 2012

[www.expressradiant.ca](http://www.expressradiant.ca)

2012



## 2 Table of Contents

Page

### Stelrad Radiator Section

3-6	<b>K1 &amp; K2 Softline Compact</b> Radiators
7-9	<b>S1 &amp; S2 Style Compact</b> Radiators
10-12	<b>Classic Column</b> Radiators
13	<b>Vertex &amp; Style Vertical</b> Radiators
14-15	<b>Ladder Rail</b> Towel Warmers
16	<b>STR</b> Towel Warmers

### Herz Valves and Accessories

17-19	<b>Thermostatic Radiator</b> Valve Sets
20-21	<b>Radiator Connectors</b>
21-24	<b>Radiator Valves</b>
25-26	<b>Controls</b>
27-29	<b>Accessories</b>
30-31	<b>Applications</b>
32	<b>Terms</b>

## Contact Information:

**Express Radiant Ltd.**  
Barrie, Ontario, Canada

T: 705 730 6868 / 1 888 719 9913  
F: 705 730 1949 / 1 888 903 3340  
E: support@expressradiant.ca

[www.expressradiant.ca](http://www.expressradiant.ca)

## UK Product Range:

[www.stelrad.com](http://www.stelrad.com)

Please contact your dealer for pricing, terms and delivery on any products offered on the UK Stelrad website. All orders are considered a special order and are not subject to changes or cancellations once ordered.

## Stelrad K1 and K2 Softline Compact Radiator



With gently curved top grille and end panels, the New Stelrad Softline Radiator is the mould breaking next generation compact radiator from Stelrad. Now available in heights of 8", 12", 18", 24" and 28" inches and a variety of lengths from 16" to 120". Most items are carried in stock and come with wall brackets, hardware pack and instructions for easy installation. Each steel radiator has a ½" BSP connection, is powder coated white (RAL 9016) and carries a ten year warranty. Valves sold separately.

## 4 Stelrad K1 Softline Compact Radiator Sizes and Technical Data

### K1 Single Panel

\*Rough in measurements based on using Herz Miniset Valve Set, part # VA-1773481 formerly VA-1773484. Deduct 1/4" total if using other Herz valves eg. Herz Reverse Angle Valve Sets.



PART # (Inches)	HEIGHT (mm)	LENGTH (mm)	OUTPUT bth/hr 110 °F AWT	OUTPUT bth/hr 140 °F AWT	OUTPUT bth/hr 160 °F AWT	OUTPUT bth/hr 180 °F AWT	WEIGHT (Lbs)	Rough-In from finished wall	Rough-In distance apart centre to centre*
K1 08 20	200	500	283	585	805	1043	8	2 1/8" or 2 5/8"	23 1/4"
K1 08 40	200	1000	565	1170	1610	2085	18	2 1/8" or 2 5/8"	42 7/8"
K1 08 60	200	1500	847	1755	2415	3128	27	2 1/8" or 2 5/8"	62 5/8"
K1 08 80	200	2000	1131	2342	3223	4175	36	2 1/8" or 2 5/8"	82 1/4"
K1 08 98	200	2500	1713	2924	4024	5213	45	2 1/8" or 2 5/8"	102"
k1 08 120	200	3000	1696	3510	4830	6257	54	2 1/8" or 2 5/8"	121 5/8"
K1 12 20	300	500	305	626	868	1127	10	2 1/8" or 2 5/8"	23 1/4"
K1 12 40	300	1000	611	1252	1737	2255	21	2 1/8" or 2 5/8"	42 7/8"
K1 12 60	300	1500	916	1878	2605	3381	31	2 1/8" or 2 5/8"	62 5/8"
K1 12 80	300	2000	1222	2504	3473	4508	41	2 1/8" or 2 5/8"	82 1/4"
K1 12 98	300	2500	1527	3131	4342	5636	51	2 1/8" or 2 5/8"	102"
K1 12 120	300	3000	1833	3756	5210	6763	62	2 1/8" or 2 5/8"	121 5/8"
K1 18 16	450	400	363	744	1032	1340	13	2 1/8" or 2 5/8"	19 1/4"
K1 18 20	450	500	454	930	1290	1674	16	2 1/8" or 2 5/8"	23 1/4"
K1 18 24	450	600	544	1116	1548	2009	19	2 1/8" or 2 5/8"	27 1/8"
K1 18 28	450	700	635	1302	1806	2344	22	2 1/8" or 2 5/8"	31 1/8"
K1 18 32	450	800	726	1488	2064	2679	26	2 1/8" or 2 5/8"	35
K1 18 36	450	900	817	1674	2322	3014	29	2 1/8" or 2 5/8"	39
K1 18 40	450	1000	907	1859	2579	3348	32	2 1/8" or 2 5/8"	42 7/8"
K1 18 44	450	1100	998	2045	2837	3682	35	2 1/8" or 2 5/8"	46 7/8"
K1 18 48	450	1200	1089	2231	3095	4017	38	2 1/8" or 2 5/8"	50 3/4"
K1 18 55	450	1400	1270	2604	3611	4687	45	2 1/8" or 2 5/8"	58 5/8"
K1 18 64	450	1600	1452	2976	4127	5357	51	2 1/8" or 2 5/8"	66 1/2"
K1 18 72	450	1800	1633	3348	4643	6027	57	2 1/8" or 2 5/8"	74 3/8"
K1 18 80	450	2000	1815	3720	5159	6696	64	2 1/8" or 2 5/8"	82 1/4"
K1 18 86	450	2200	1996	4092	5675	7366	70	2 1/8" or 2 5/8"	90 1/8"
K1 18 94	450	2400	2178	4464	6191	8036	77	2 1/8" or 2 5/8"	98
K1 18 100	450	2600	2359	4836	6707	8706	83	2 1/8" or 2 5/8"	105 7/8"
K1 18 110	450	2800	2541	5208	7223	9375	89	2 1/8" or 2 5/8"	113 3/4"
K1 18 120	450	3000	2722	5579	7738	10044	96	2 1/8" or 2 5/8"	121 5/8"
K1 24 16	600	400	471	965	1338	1737	17	2 1/8" or 2 5/8"	19 1/4"
K1 24 20	600	500	588	1206	1672	2170	22	2 1/8" or 2 5/8"	23 1/4"
K1 24 24	600	600	706	1446	2006	2604	26	2 1/8" or 2 5/8"	27 1/8"
K1 24 28	600	700	824	1688	2341	3039	30	2 1/8" or 2 5/8"	31 1/8"
K1 24 32	600	800	941	1929	2675	3472	35	2 1/8" or 2 5/8"	35
K1 24 36	600	900	1059	2169	3009	3906	39	2 1/8" or 2 5/8"	39
K1 24 40	600	1000	1176	2411	3344	4341	43	2 1/8" or 2 5/8"	42 7/8"
K1 24 44	600	1100	1294	2652	3678	4774	48	2 1/8" or 2 5/8"	46 7/8"
K1 24 48	600	1200	1412	2893	4013	5209	52	2 1/8" or 2 5/8"	50 3/4"
K1 24 55	600	1400	1647	3375	4681	6076	61	2 1/8" or 2 5/8"	58 5/8"
K1 24 64	600	1600	1882	3857	5350	6944	69	2 1/8" or 2 5/8"	66 1/2"
K1 24 72	600	1800	2117	4340	6019	7813	78	2 1/8" or 2 5/8"	74 3/8"
K1 24 80	600	2000	2353	4822	6688	8681	87	2 1/8" or 2 5/8"	82 1/4"
K1 24 86	600	2200	2588	5304	7356	9548	95	2 1/8" or 2 5/8"	90 1/8"
K1 24 94	600	2400	2823	5786	8025	10416	104	2 1/8" or 2 5/8"	98
K1 24 100	600	2600	3058	6268	8694	11285	113	2 1/8" or 2 5/8"	105 7/8"
K1 24 110	600	2800	3293	6751	9363	12153	121	2 1/8" or 2 5/8"	113 3/4"
K1 24 120	600	3000	3528	7232	10031	13020	130	2 1/8" or 2 5/8"	121 5/8"
K1 28 16	700	400	536	1099	1524	1978	20	2 1/8" or 2 5/8"	19 1/4"
K1 28 20	700	500	670	1374	1906	2474	25	2 1/8" or 2 5/8"	23 1/4"
K1 28 24	700	600	805	1649	2287	2969	30	2 1/8" or 2 5/8"	27 1/8"
K1 28 28	700	700	938	1924	2668	3463	35	2 1/8" or 2 5/8"	31 1/8"
K1 28 32	700	800	1073	2198	3049	3958	40	2 1/8" or 2 5/8"	35
K1 28 36	700	900	1207	2473	3431	4454	46	2 1/8" or 2 5/8"	39

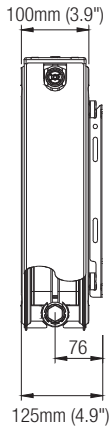
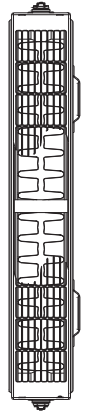
AWT = Average Water Temperature

North American Distribution: Barrie, Ontario, Canada Tel: 1-888-719-9913 Fax: 1-888-903-3340

## Stelrad K2 Softline Compact Radiator Sizes and Technical Data

### K2 Double Panel

\*Rough in measurements based on using Herz Miniset Valve Set, part # VA-1773481 formerly VA-1773484. Deduct ¼" total if using other Herz valves eg. Herz Reverse Angle Valve Sets.

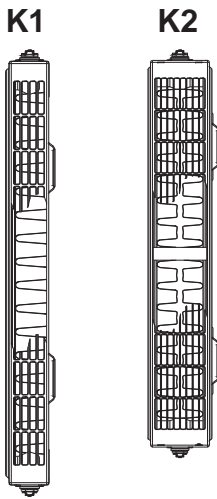


PART # (Inches)	HEIGHT (mm)	LENGTH (mm)	OUTPUT bth/hr 110 °F AWT	OUTPUT bth/hr 140 °F AWT	OUTPUT bth/hr 160 °F AWT	OUTPUT bth/hr 180 °F AWT	WEIGHT (Lbs)	Rough-In from finished wall	Rough-In distance apart centre to centre*
K2 08 20	200	500	509	1053	1449	1877	18	3" or 3 1/2"	23 1/4"
K2 08 40	200	1000	1012	2107	2899	3755	36	3" or 3 1/2"	42 7/8"
K2 08 60	200	1500	1526	3160	4348	5632	54	3" or 3 1/2"	62 5/8"
K2 08 80	200	2000	2035	4213	5797	7509	72	3" or 3 1/2"	82 1/4"
K2 08 98	200	2500	2543	5264	7244	9383	90	3" or 3 1/2"	102"
k2 08 120	200	3000	3051	6317	8693	11260	108	3" or 3 1/2"	121 5/8"
K2 12 20	300	500	589	1208	1675	2174	18	3" or 3 1/2"	23 1/4"
K2 12 40	300	1000	1179	2416	3351	4350	37	3" or 3 1/2"	42 7/8"
K2 12 60	300	1500	1768	3624	5026	6524	55	3" or 3 1/2"	62 5/8"
K2 12 80	300	2000	2357	4831	6701	8698	74	3" or 3 1/2"	82 1/4"
K2 12 98	300	2500	2946	6039	8376	10872	92	3" or 3 1/2"	102"
K2 12 120	300	3000	3536	7247	10052	13047	111	3" or 3 1/2"	121 5/8"
K2 18 16	450	400	658	1349	1871	2429	23	3" or 3 1/2"	19 1/4"
K2 18 20	450	500	823	1686	2339	3036	28	3" or 3 1/2"	23 1/4"
K2 18 24	450	600	987	2024	2807	3643	34	3" or 3 1/2"	27 1/8"
K2 18 28	450	700	1152	2361	3274	4250	40	3" or 3 1/2"	31 1/8"
K2 18 32	450	800	1316	2698	3742	4857	46	3" or 3 1/2"	35
K2 18 36	450	900	1481	3035	4210	5465	51	3" or 3 1/2"	39
K2 18 40	450	1000	1646	3373	4678	6072	57	3" or 3 1/2"	42 7/8"
K2 18 44	450	1100	1810	3710	5146	6680	63	3" or 3 1/2"	46 7/8"
K2 18 48	450	1200	1975	4047	5613	7286	68	3" or 3 1/2"	50 3/4"
K2 18 55	450	1400	2304	4722	6549	8501	80	3" or 3 1/2"	58 5/8"
K2 18 64	450	1600	2633	5397	7485	9716	91	3" or 3 1/2"	66 1/2"
K2 18 72	450	1800	2962	6071	8420	10929	103	3" or 3 1/2"	74 3/8"
K2 18 80	450	2000	3291	6746	9356	12144	114	3" or 3 1/2"	82 1/4"
K2 18 86	450	2200	3620	7420	10291	13358	125	3" or 3 1/2"	90 1/8"
K2 18 94	450	2400	3949	8095	11227	14573	137	3" or 3 1/2"	98
K2 18 100	450	2600	4278	8769	12162	15786	148	3" or 3 1/2"	105 7/8"
K2 18 110	450	2800	4607	9444	13098	17001	160	3" or 3 1/2"	113 3/4"
K2 18 120	450	3000	4937	10119	14034	18216	171	3" or 3 1/2"	121 5/8"
K2 24 16	600	400	831	1704	2364	3068	31	3" or 3 1/2"	19 1/4"
K2 24 20	600	500	1040	2131	2955	3836	39	3" or 3 1/2"	23 1/4"
K2 24 24	600	600	1247	2557	3546	4603	46	3" or 3 1/2"	27 1/8"
K2 24 28	600	700	1455	2983	4137	5370	54	3" or 3 1/2"	31 1/8"
K2 24 32	600	800	1663	3409	4728	6137	62	3" or 3 1/2"	35
K2 24 36	600	900	1871	3835	5319	6904	69	3" or 3 1/2"	39
K2 24 40	600	1000	2079	4261	5910	7671	77	3" or 3 1/2"	42 7/8"
K2 24 44	600	1100	2287	4687	6501	8438	85	3" or 3 1/2"	46 7/8"
K2 24 48	600	1200	2495	5113	7092	9205	92	3" or 3 1/2"	50 3/4"
K2 24 55	600	1400	2910	5965	8273	10738	108	3" or 3 1/2"	58 5/8"
K2 24 64	600	1600	3326	6817	9455	12273	123	3" or 3 1/2"	66 1/2"
K2 24 72	600	1800	3742	7669	10637	13807	139	3" or 3 1/2"	74 3/8"
K2 24 80	600	2000	4157	8521	11819	15341	154	3" or 3 1/2"	82 1/4"
K2 24 86	600	2200	4573	9374	13001	16875	169	3" or 3 1/2"	90 1/8"
K2 24 94	600	2400	4989	10226	14183	18410	185	3" or 3 1/2"	98
K2 24 100	600	2600	5405	11078	15365	19944	200	3" or 3 1/2"	105 7/8"
K2 24 110	600	2800	5821	11930	16547	21478	216	3" or 3 1/2"	113 3/4"
K2 24 120	600	3000	6236	12783	17729	23012	231	3" or 3 1/2"	121 5/8"
K2 28 16	700	400	941	1929	2676	3473	36	3" or 3 1/2"	19 1/4"
K2 28 20	700	500	1177	2412	3345	4342	45	3" or 3 1/2"	23 1/4"
K2 28 24	700	600	1412	2895	4015	5211	53	3" or 3 1/2"	27 1/8"
K2 28 28	700	700	1648	3377	4684	6080	62	3" or 3 1/2"	31 1/8"
K2 28 32	700	800	1883	3860	5353	6948	71	3" or 3 1/2"	35
K2 28 36	700	900	2119	4343	6024	7820	80	3" or 3 1/2"	39

AWT = Average Water Temperature

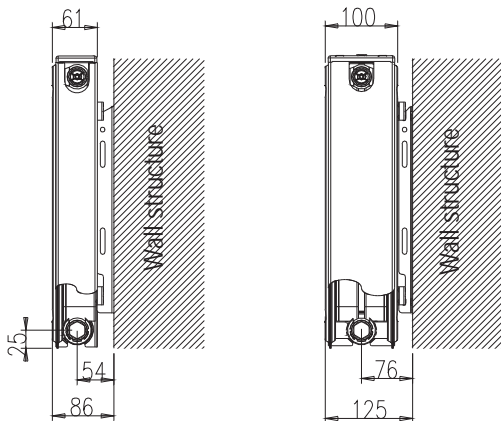
North American Distribution: Barrie, Ontario, Canada Tel: 1-888-719-9913 Fax: 1-888-903-3340

## 6 Stelrad Softline Compact Radiator K1 and K2 Technical Data



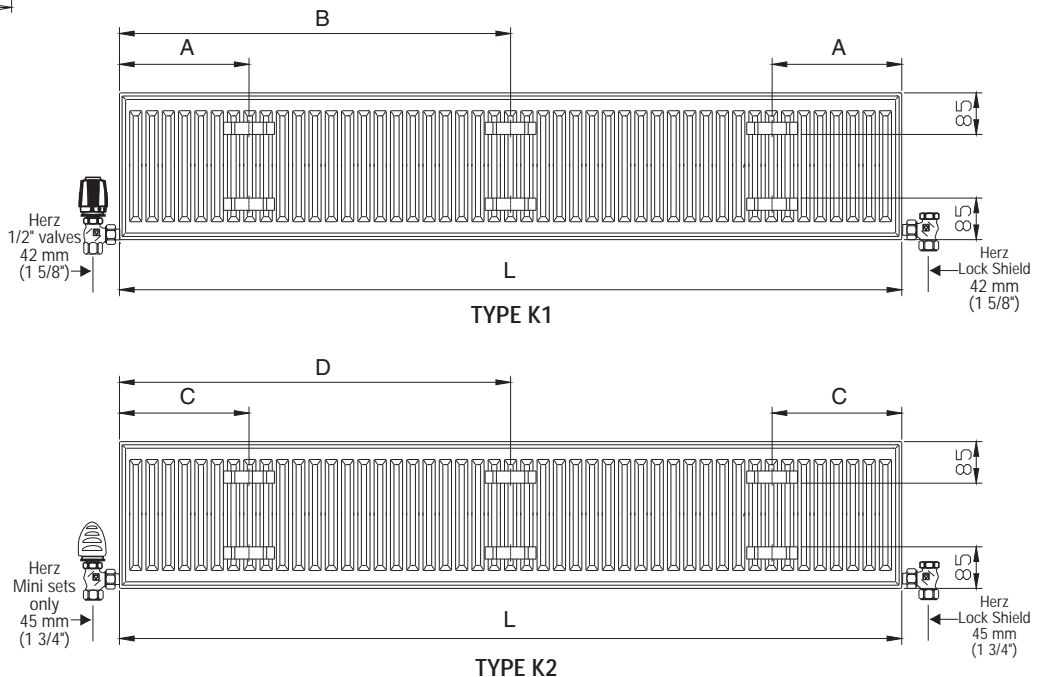
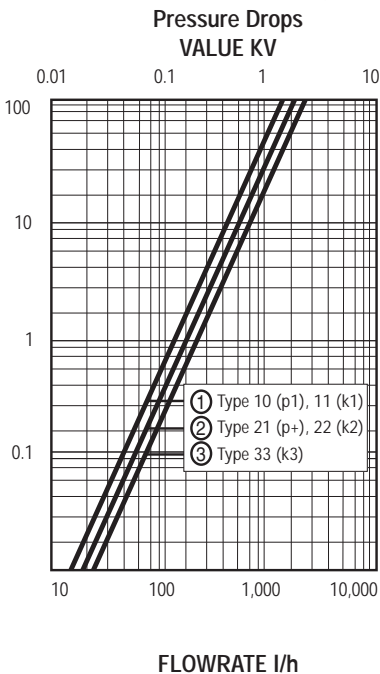
To determine the output of the radiator for average water temperatures other than 180 °F and air temperature of 70 °F apply the correction factor below and multiply by the quoted output of the radiator.

Room Air Temperature (°F)	Average Water Temperature (°F)									
	110	120	130	140	150	160	170	180	190	200
	FACTOR									
80	0.207	0.293	0.384	0.477	0.590	0.690	0.800	0.910	1.026	1.141
75	0.25	0.338	0.430	0.533	0.640	0.745	0.855	0.968	1.083	1.198
72	0.271	0.361	0.453	0.561	0.665	0.772	0.882	0.997	1.112	1.226
70	0.293	0.384	0.477	0.590	0.690	0.800	0.910	1.026	1.141	1.255
65	0.338	0.430	0.533	0.640	0.745	0.855	0.968	1.083	1.198	1.316



L	K1		K2		D
	A (mm)	B (Inches)	C (mm)	D (Inches)	
400	117	4.625	133	7.25	-
500 - 1100	150	6	133	7.25	-
1200 - 1600	283	11	267	10.5	-
1800 - 2000	283	1 (L/2)	267	10.5	(L/2)

SOFTLINE COMPACT LUG POSITIONS



North American Distribution: Barrie, Ontario, Canada Tel: 1-888-719-9913 Fax: 1-888-903-3340

## Stelrad Style S1 and S2 Compact Radiators

The Style Compact Radiator offers a modern, sleek design and excellent value while still providing exceptional BTU output. The Style Compact Radiator range is available in three popular heights and a wide selection of lengths in both the single or double panel. Finished in a powder coated white the radiator comes with hardware pack and wall brackets. Please allow seven to ten days for delivery. Valves sold separately.



See page 13 for the new Style Vertical Radiator

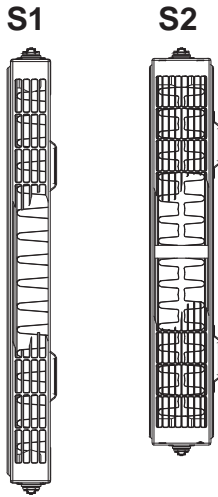
## 8 Stelrad Style S1 and S2 Compact Radiator Sizes and Technical Data

PART # (Inches)	HEIGHT (mm)	LENGTH (mm)	OUTPUT bth/hr 110 °F AWT	OUTPUT bth/hr 140 °F AWT	OUTPUT bth/hr 160 °F AWT	OUTPUT bth/hr 180 °F AWT	WEIGHT (Lbs)	STOCK STATUS
S1 12 20	300	500	270	554	768	997	13	stock
S1 12 40	300	1000	540	1107	1535	1992	27	stock
S1 12 60	300	1500	862	1766	2450	3180	40	stock
S1 12 80	300	2000	1080	2214	3071	3986	52	stock
S1 18 20	450	500	399	818	1135	1473	28	stock
S1 18 24	450	600	479	982	1362	1768	24	stock
S1 18 32	450	800	639	1309	1816	2357	32	stock
S1 18 36	450	900	719	1473	2043	2652	37	stock
S1 18 44	450	1100	878	1800	2496	3240	45	stock
S1 18 48	450	1200	958	1963	2723	3534	49	stock
S1 18 64	450	1600	1277	2618	3631	4713	66	stock
S1 18 72	450	1800	1437	2945	4085	5302	73	stock
S1 24 20	600	500	517	1061	1471	1909	28	stock
S1 24 24	600	600	621	1273	1765	2291	33	stock
S1 24 32	600	800	828	1697	2354	3055	44	stock
S1 24 36	600	900	931	1908	2647	3436	50	stock
S1 24 44	600	1100	1138	2333	3236	4200	61	stock
S1 24 48	600	1200	1242	2546	3531	4583	66	stock
S1 24 64	600	1600	1656	3394	4708	6111	88	stock
S1 24 72	600	1800	1863	3818	5296	6874	100	stock

PART # (Inches)	HEIGHT (mm)	LENGTH (mm)	OUTPUT bth/hr 110 °F AWT	OUTPUT bth/hr 140 °F AWT	OUTPUT bth/hr 160 °F AWT	OUTPUT bth/hr 180 °F AWT	WEIGHT (Lbs)	STOCK STATUS
S2 12 20	300	500	518	1063	1474	1913	21	stock
S2 12 40	300	1000	1037	2126	2949	3828	43	stock
S2 12 60	300	1500	1556	3188	4422	5740	64	stock
S2 12 80	300	2000	2074	4251	5896	7653	85	stock
S2 18 20	450	500	724	1484	2058	2671	40	stock
S2 18 24	450	600	869	1781	2470	3206	39	stock
S2 18 32	450	800	1158	2374	3292	4273	52	stock
S2 18 36	450	900	1303	2671	3704	4808	59	stock
S2 18 44	450	1100	1593	3265	4528	5877	73	stock
S2 18 48	450	1200	1737	3561	4939	6411	79	stock
S2 18 64	450	1600	2317	4749	6586	8549	106	stock
S2 18 72	450	1800	2606	5342	7409	9617	119	stock
S2 24 20	600	500	915	1875	2600	3375	45	stock
S2 24 24	600	600	1098	2250	3120	4050	53	stock
S2 24 32	600	800	1463	2999	4160	5400	71	stock
S2 24 36	600	900	1646	3374	4680	6075	80	stock
S2 24 44	600	1100	2012	4124	5720	7425	98	stock
S2 24 48	600	1200	2195	4499	6240	8100	106	stock
S2 24 64	600	1600	2927	5999	8320	10799	142	stock
S2 24 72	600	1800	3292	6749	9360	12149	161	stock

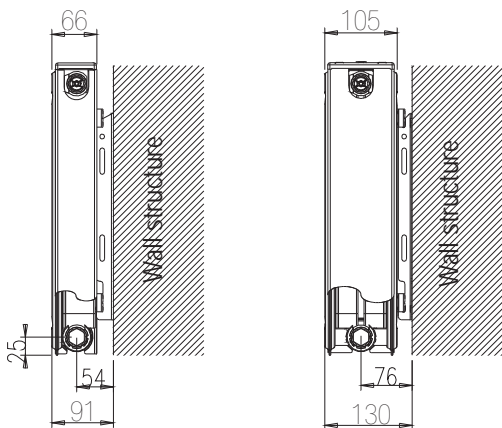
Please allow seven to ten days for delivery.

## Stelrad Style S1 and S2 Rough-In and Technical Data



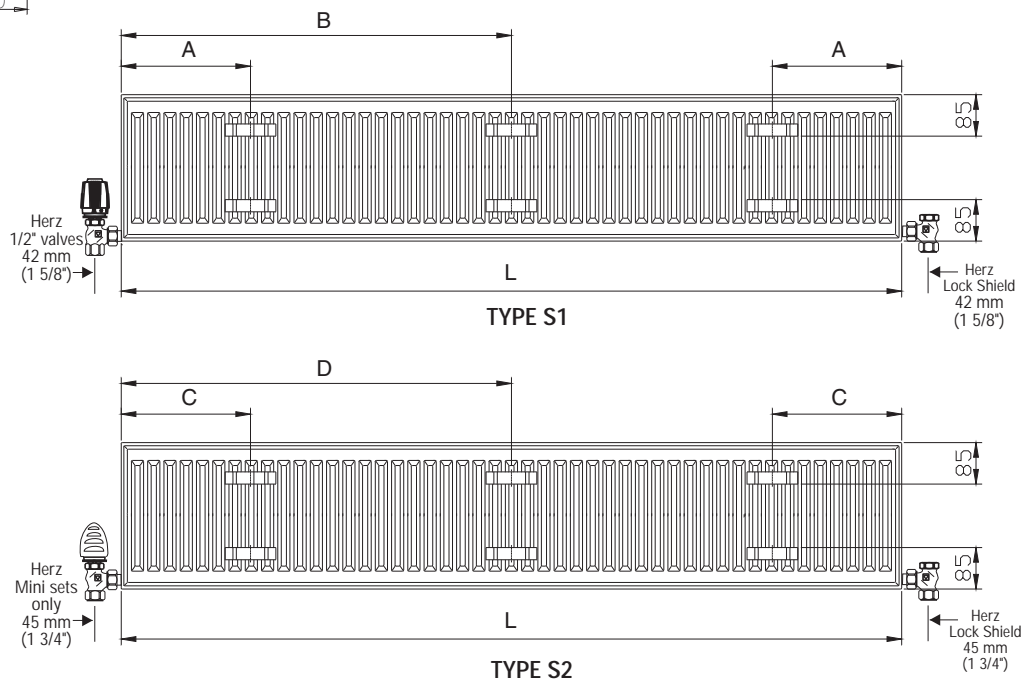
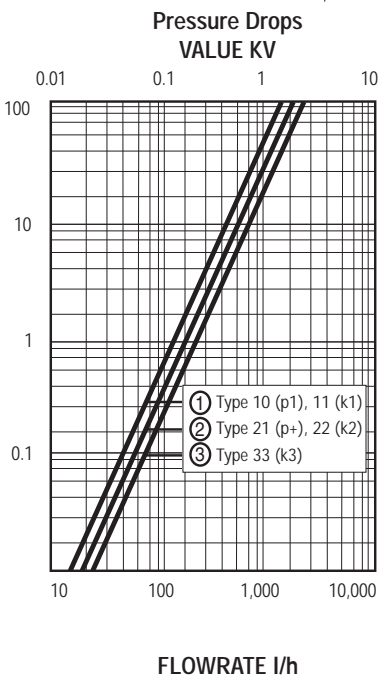
To determine the output of the radiator for average water temperatures other than 180 °F and air temperature of 70 °F apply the correction factor below and multiply by the quoted output of the radiator.

Room Air Temperature (°F)	Average Water Temperature (°F)									
	110	120	130	140	150	160	170	180	190	200
	FACTOR									
80	0.207	0.293	0.384	0.477	0.590	0.690	0.800	0.910	1.026	1.141
75	0.25	0.338	0.430	0.533	0.640	0.745	0.855	0.968	1.083	1.198
72	0.271	0.361	0.453	0.561	0.665	0.772	0.882	0.997	1.112	1.226
70	0.293	0.384	0.477	0.590	0.690	0.800	0.910	1.026	1.141	1.255
65	0.338	0.430	0.533	0.640	0.745	0.855	0.968	1.083	1.198	1.316



L	S1		S2	
	A	B	C	D
	(mm)	(Inches)	(mm)	(Inches)
400	117	-	133	-
500 - 1100	150	-	133	-
1200 - 1600	283	-	267	-
1800 - 2000	283	(L/2)	267	(L/2)

### STYLE COMPACT LUG POSITIONS

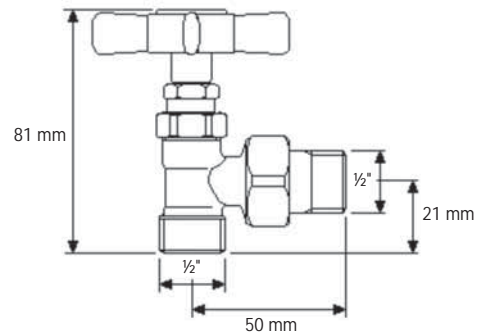


North American Distribution: Barrie, Ontario, Canada Tel: 1-888-719-9913 Fax: 1-888-903-3340

## 10 Classic Column Radiators



### Manual Angle Cross Head Valves



The column radiator is available in three different heights with either three or four bars and a variety of lengths. Each Classic Column comes with wall brackets and hardware pack. Floor brackets are available for greater stability on the longer radiators. See product # V-CLFS Page 28. Columns require a 1/2" connection. Please allow seven to ten days for delivery. Valves sold separately.



Please visit [www.expressradiant.ca](http://www.expressradiant.ca) to calculate heat output from existing cast iron column and tubular radiators.

## Classic Column Radiator Sizes and Technical Data

PART # H x B x S*	HEIGHT (mm)	HEIGHT (inches)	LENGTH (mm)	LENGTH (inches)	OUTPUT bth/hr 140 °F AWT	OUTPUT bth/hr 160 °F AWT	OUTPUT bth/hr 180 °F AWT	WEIGHT (Lbs)	STOCK STATUS
C12 3 09	300	11.8	405	15.94	688	954	1238	15	stock
C12 3 13	300	11.8	585	23.03	994	1378	1789	22	stock
C12 3 18	300	11.8	810	31.88	1376	1909	2478	30	stock
C12 3 22	300	11.8	990	38.97	1682	2333	3028	37	stock
C12 3 27	300	11.8	1215	47.83	2064	2863	3716	46	stock
C12 3 31	300	11.8	1395	54.92	2370	3287	4267	53	stock
C20 3 09	500	19.7	405	15.94	1132	1570	2038	24	stock
C20 3 13	500	19.7	585	23.03	1635	2268	2944	34	stock
C20 3 18	500	19.7	810	31.88	2264	3140	4076	48	stock
C20 3 22	500	19.7	990	38.97	2767	3838	4982	58	stock
C20 3 27	500	19.7	1215	47.83	3396	4710	6114	71	stock
C20 3 31	500	19.7	1395	54.92	3899	5408	7020	82	stock
C20 3 40	500	19.7	1800	70.86	5031	6978	9057	106	stock
C30 3 18	750	29.5	810	31.88	3330	4618	5994	68	stock
C30 3 22	750	29.5	990	38.97	4069	5644	7326	83	stock
C30 3 27	750	29.5	1215	47.83	4994	6926	8990	102	stock
C30 3 30	750	29.5	1350	53.15	5549	7696	9989	114	stock
C30 3 40	750	29.5	1800	70.86	7399	10262	13320	151	stock

PART # H x B x S*	HEIGHT (mm)	HEIGHT (inches)	LENGTH (mm)	LENGTH (inches)	OUTPUT bth/hr 140 °F AWT	OUTPUT bth/hr 160 °F AWT	OUTPUT bth/hr 180 °F AWT	WEIGHT (Lbs)	STOCK STATUS
C12 4 09	300	11.8	405	15.94	888	1231	1598	22	stock
C12 4 13	300	11.8	585	23.03	1282	1778	2308	31	stock
C12 4 18	300	11.8	810	31.88	1775	2462	3196	43	stock
C12 4 22	300	11.8	990	38.97	2170	3010	3907	53	stock
C12 4 27	300	11.8	1215	47.83	2663	3694	4795	65	stock
C12 4 31	300	11.8	1395	54.92	3058	4242	5506	74	stock
C20 4 09	500	19.7	405	15.94	1443	2001	2597	33	stock
C20 4 13	500	19.7	585	23.03	2084	2890	3751	47	stock
C20 4 18	500	19.7	810	31.88	2885	4002	5195	65	stock
C20 4 22	500	19.7	990	38.97	3526	4891	6349	80	stock
C20 4 27	500	19.7	1215	47.83	4328	6003	7792	98	stock
C20 4 31	500	19.7	1395	54.92	4970	6893	8947	113	stock
C20 4 40	500	19.7	1800	70.86	6413	8894	11544	145	stock
C30 4 18	750	29.5	810	31.88	4216	5848	7591	91	stock
C30 4 22	750	29.5	990	38.97	5154	7149	9279	112	stock
C30 4 27	750	29.5	1215	47.83	6326	8774	11389	137	stock
C30 4 30	750	29.5	1350	53.15	7029	9749	12654	152	stock
C30 4 40	750	29.5	1800	70.86	9372	12998	16871	203	stock

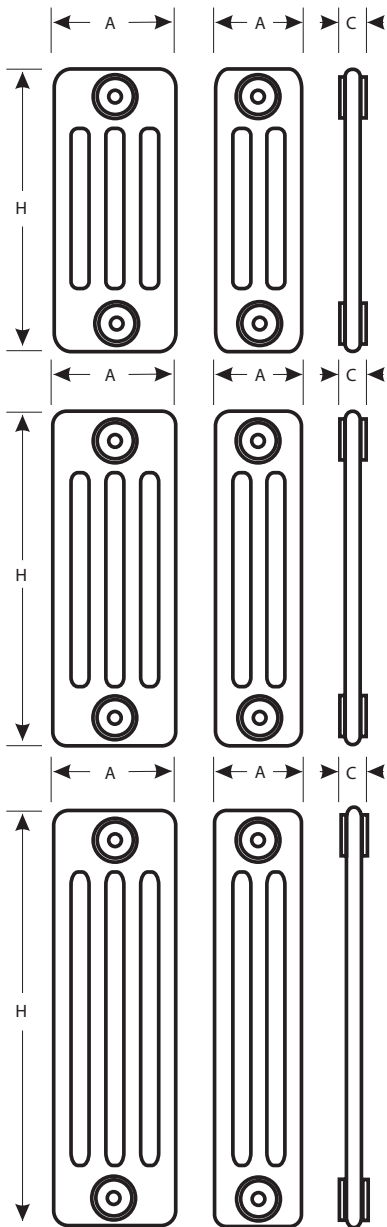
\*H x B x S:  
 H = Height in approximate inches  
 B = Number of Bars  
 S = Number of Sections

Please allow seven to ten days for delivery.



C12 3 22

## 12 Classic Column Radiator Rough-In Dimensions



	HEIGHT (mm) H	DEPTH (mm) A	WIDTH (mm) C	WEIGHT (PER SECTION) KG'S	WATER CONTENT (PER SECTION) LITRES
3 COLUMN	300	107	45	0.77	0.67
4 COLUMN	300	148	45	1.09	0.9

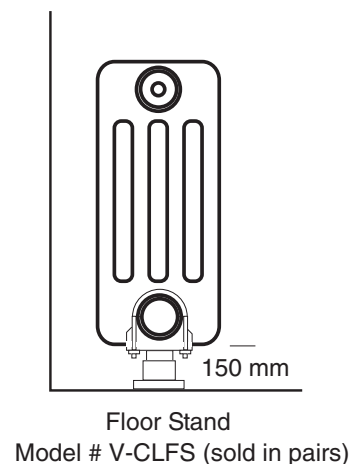
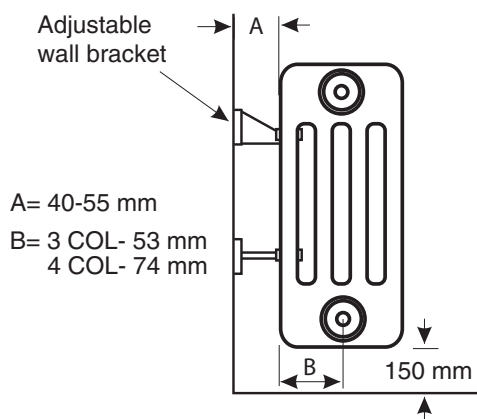
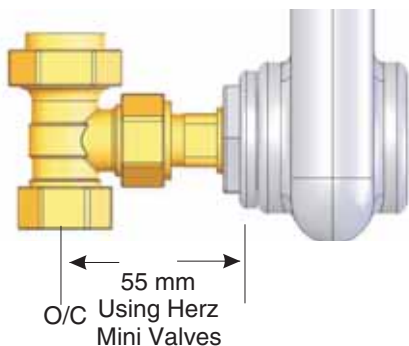
	HEIGHT (mm) H	DEPTH (mm) A	WIDTH (mm) C	WEIGHT (PER SECTION) KG'S	WATER CONTENT (PER SECTION) LITRES
3 COLUMN	500	107	45	1.2	0.91
4 COLUMN	500	148	45	1.65	1.22



	HEIGHT (mm) H	DEPTH (mm) A	WIDTH (mm) C	WEIGHT (PER SECTION) KG'S	WATER CONTENT (PER SECTION) LITRES
3 COLUMN	750	107	45	1.72	1.21
4 COLUMN	750	148	45	2.31	1.62

Typical Wall Bracket Installation

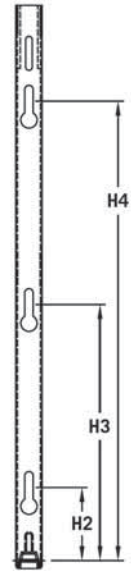
Optional Floor Standing Brackets



## Vertex Vertical Radiator and Style Vertical Radiator

### Vertex and Style Mounting Brackets

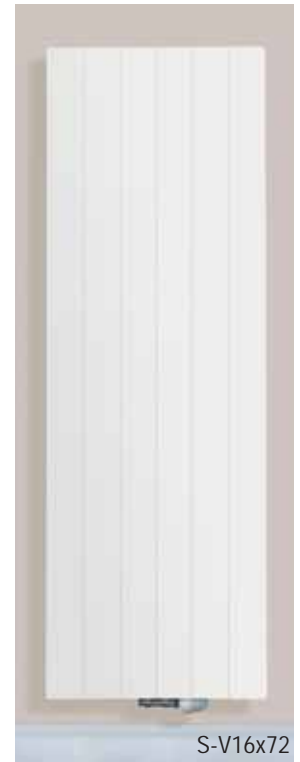
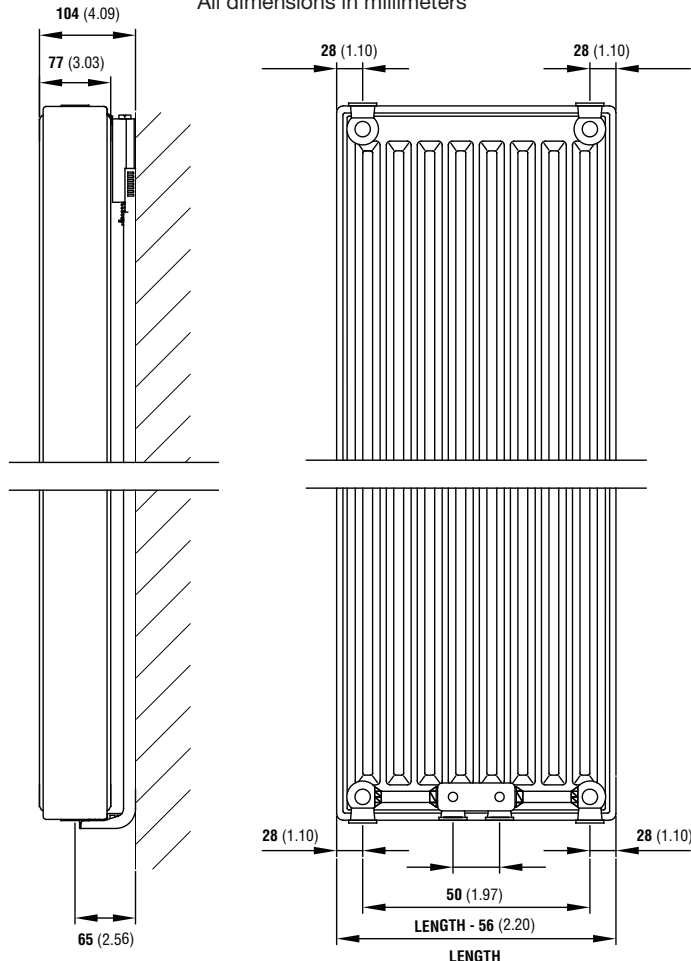
Height		H2		H3		H4	
mm	in	mm	in	mm	in	mm	in
1800	70.87	70	2.75	1115	43.89	1615	63.58
2200	86.61	70	2.75	1315	51.77	2015	79.33



### Wall Mounting Information 2200 or 1800 mm high

#### Wall Mounting Information

All dimensions in millimeters



PART #	HEIGHT (mm)	LENGTH (mm)	OUTPUT bth/hr 140 °F AWT	OUTPUT bth/hr 160 °F AWT	OUTPUT bth/hr 180 °F AWT	WEIGHT (Lbs)	PIPE FROM WALL (mm)	PIPE O/C (mm)	STOCK STATUS
D-V16X72	1804	400	2640	3580	4474	62	67.00	345.00	stock
D-V16X86	2204	400	3184	4318	5398	77	67.00	345.00	stock
S-V16X72	1804	400	2376	3222	4027	84	67.00	345.00	stock
S-V16X86	2204	400	2866	3889	4860	102	67.00	345.00	stock

North American Distribution: Barrie, Ontario, Canada Tel: 1-888-719-9913 Fax: 1-888-903-3340

## 14 Ladder Rail Towel Warmers



D-TCC 30x24



D-TSW 69X24



D-TSC 48X20

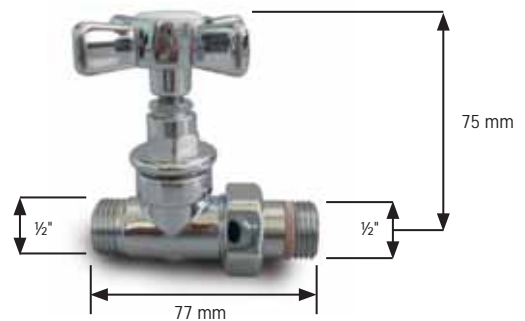
**Legend for Codes:**  
 CC = Curved Chrome  
 CW = Curved White  
 SC = Straight Chrome  
 SW = Straight White

Valves are not available as shown.



Optional Manual Cross Head Valves in straight and angle:  
 PART# V-CROSSH16 Angle  
 V-CROSSH16S Straight.  
 Available for PEX or Copper.

Manual Straight Cross Head Valves



## Ladder Rail Towel Warmers Rough-In and Technical Data

DESCRIPTION	MODEL	HEIGHT mm (inches)	LENGTH mm (inches)	OUTPUT bth/hr 140 °F AWT	OUTPUT bth/hr 160 °F AWT	OUTPUT bth/hr 180 °F AWT	WEIGHT (Lb.)	STOCK STATUS
Mini Ladder Rail Straight White	D-TSW 27X16	678 (27)	400 (16)	691	958	1243	12	stock
Ladder Rail Straight White	D-TSW 30X20	760 (30)	500 (20)	919	1274	1654	15	stock
Ladder Rail Straight White	D-TSW 30X24	760 (30)	600 (24)	1101	1527	1982	17	stock
Ladder Rail Straight White	D-TSW 48X20	1211 (48)	500 (20)	1366	1894	2458	23	stock
Ladder Rail Straight White	D-TSW 48X24	1211 (48)	600 (24)	1621	2248	2918	27	stock
Ladder Rail Straight White	D-TSW 69X20	1744 (69)	500 (20)	2015	2795	3628	33	stock
Ladder Rail Straight White	D-TSW 69X24	1744 (69)	600 (24)	2384	3306	4291	38	stock
Mini Ladder Rail Straight Chrome	D-TSC 27X16	678 (27)	400 (16)	970	1345	1746	12	stock
Ladder Rail Straight Chrome	D-TSC 30X20	760 (30)	500 (20)	1162	1611	2091	15	stock
Ladder Rail Straight Chrome	D-TSC 30X24	760 (30)	600 (24)	1469	2037	2644	17	stock
Ladder Rail Straight Chrome	D-TSC 48X20	1211 (48)	500 (20)	1743	2417	3137	23	stock
Ladder Rail Straight Chrome	D-TSC 48X24	1211 (48)	600 (24)	2167	3006	3902	27	stock
Ladder Rail Straight Chrome	D-TSC 69X20	1744 (69)	500 (20)	2563	3555	4614	33	stock
Ladder Rail Straight Chrome	D-TSC 69X24	1744 (69)	600 (24)	576	798	1036	38	stock
Ladder Rail Curved White	D-TCW 30X20	760 (30)	500 (20)	766	1062	1378	15	stock
Ladder Rail Curved White	D-TCW 30X24	760 (30)	600 (24)	917	1272	1651	18	stock
Ladder Rail Curved White	D-TCW 48X20	1211 (48)	500 (20)	1138	1578	2048	24	stock
Ladder Rail Curved White	D-TCW 48X24	1211 (48)	600 (24)	1350	1873	2431	27	stock
Ladder Rail Curved White	D-TCW 69X20	1744 (69)	500 (20)	1678	2328	3022	33	stock
Ladder Rail Curved White	D-TCW 69X24	1744 (69)	600 (24)	1986	2754	3575	38	stock
Ladder Rail Curved Chrome	D-TCC 30X20	760 (30)	500 (20)	823	1142	1482	15	stock
Ladder Rail Curved Chrome	D-TCC 30X24	760 (30)	600 (24)	986	1368	1776	18	stock
Ladder Rail Curved Chrome	D-TCC 48X20	1211 (48)	500 (20)	1224	1697	2203	24	stock
Ladder Rail Curved Chrome	D-TCC 48X24	1211 (48)	600 (24)	1452	2014	2614	27	stock
Ladder Rail Curved Chrome	D-TCC 69X20	1744 (69)	500 (20)	1805	2504	3250	33	stock
Ladder Rail Curved Chrome	D-TCC 69X24	1744 (69)	600 (24)	2136	2962	3845	38	stock

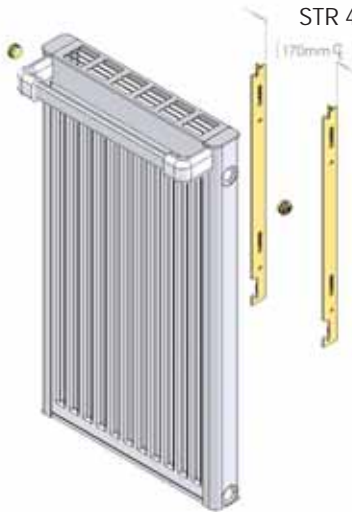
DESCRIPTION	MODEL	HEIGHT mm (inches)	LENGTH mm (inches)	DISTANCE BTW CONNECTIONS mm (inches)	DISTANCE FROM WALL mm (inches)
Mini Ladder Rail Straight White	D-TSW 27X16	678 (27)	400 (16)	356 (14)	71-82 (2 3/4-3 1/4)
Ladder Rail Straight White	D-TSW 30X20	760 (30)	500 (20)	456 (18)	71-82 (2 3/4-3 1/4)
Ladder Rail Straight White	D-TSW 30X24	760 (30)	600 (24)	556 (21 7/8)	71-82 (2 3/4-3 1/4)
Ladder Rail Straight White	D-TSW 48X20	1211 (48)	500 (20)	456 (18)	71-82 (2 3/4-3 1/4)
Ladder Rail Straight White	D-TSW 48X24	1211 (48)	600 (24)	556 (21 7/8)	71-82 (2 3/4-3 1/4)
Ladder Rail Straight White	D-TSW 69X20	1744 (69)	500 (20)	456 (18)	71-82 (2 3/4-3 1/4)
Ladder Rail Straight White	D-TSW 69X24	1744 (69)	600 (24)	556 (21 7/8)	71-82 (2 3/4-3 1/4)
Mini Ladder Rail Straight Chrome	D-TSC 27X16	678 (27)	400 (16)	356 (14)	71-82 (2 3/4-3 1/4)
Ladder Rail Straight Chrome	D-TSC 30X20	760 (30)	500 (20)	456 (18)	71-82 (2 3/4-3 1/4)
Ladder Rail Straight Chrome	D-TSC 30X24	760 (30)	600 (24)	556 (21 7/8)	71-82 (2 3/4-3 1/4)
Ladder Rail Straight Chrome	D-TSC 48X20	1211 (48)	500 (20)	456 (18)	71-82 (2 3/4-3 1/4)
Ladder Rail Straight Chrome	D-TSC 48X24	1211 (48)	600 (24)	556 (21 7/8)	71-82 (2 3/4-3 1/4)
Ladder Rail Straight Chrome	D-TSC 69X20	1744 (69)	500 (20)	456 (18)	71-82 (2 3/4-3 1/4)
Ladder Rail Straight Chrome	D-TSC 69X24	1744 (69)	600 (24)	556 (21 7/8)	71-82 (2 3/4-3 1/4)
Ladder Rail Curved White	D-TCW 30X20	760 (30)	500 (20)	456 (18)	71-82 (2 3/4-3 1/4)
Ladder Rail Curved White	D-TCW 30X24	760 (30)	600 (24)	556 (21 7/8)	71-82 (2 3/4-3 1/4)
Ladder Rail Curved White	D-TCW 48X20	1211 (48)	500 (20)	456 (18)	71-82 (2 3/4-3 1/4)
Ladder Rail Curved White	D-TCW 48X24	1211 (48)	600 (24)	556 (21 7/8)	71-82 (2 3/4-3 1/4)
Ladder Rail Curved White	D-TCW 69X20	1744 (69)	500 (20)	456 (18)	71-82 (2 3/4-3 1/4)
Ladder Rail Curved White	D-TCW 69X24	1744 (69)	600 (24)	556 (21 7/8)	71-82 (2 3/4-3 1/4)
Ladder Rail Curved Chrome	D-TCC 30X20	760 (30)	500 (20)	456 (18)	71-82 (2 3/4-3 1/4)
Ladder Rail Curved Chrome	D-TCC 30X24	760 (30)	600 (24)	556 (21 7/8)	71-82 (2 3/4-3 1/4)
Ladder Rail Curved Chrome	D-TCC 48X20	1211 (48)	500 (20)	456 (18)	71-82 (2 3/4-3 1/4)
Ladder Rail Curved Chrome	D-TCC 48X24	1211 (48)	600 (24)	556 (21 7/8)	71-82 (2 3/4-3 1/4)
Ladder Rail Curved Chrome	D-TCC 69X20	1744 (69)	500 (20)	456 (18)	71-82 (2 3/4-3 1/4)
Ladder Rail Curved Chrome	D-TCC 69X24	1744 (69)	600 (24)	556 (21 7/8)	71-82 (2 3/4-3 1/4)

## 16 Stelrad Towel Rail Warmers Rough-In and Technical Data

STR 4

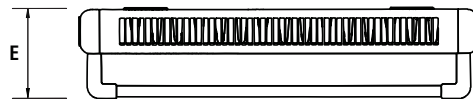


Available in two lengths the Stelrad Towel warmer provides all the heat you need with the added design feature of a towel bar, perfect for bathrooms or small kitchens. Wall brackets and hardware pack included. Valves sold separately.

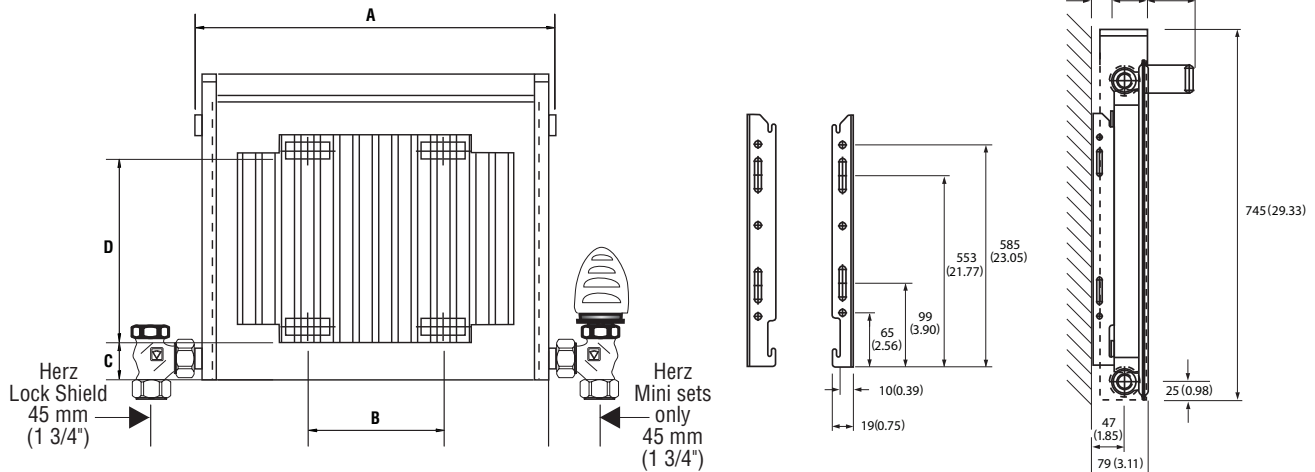


### Wall Mounting Information

All dimensions in millimeters, inches in brackets



	STR4	STR6
A	425 (16.73)	625 (24.60)
B	167 (6.57)	300 (11.81)
C	60 (2.36)	60 (2.36)
D	555 (21.85)	555 (21.85)
E	140 (5.51)	140 (5.51)



PART #	HEIGHT (mm)	HEIGHT (inches)	LENGTH (mm)	LENGTH (inches)	OUTPUT bth/hr 140 °F AWT	OUTPUT bth/hr 160 °F AWT	OUTPUT bth/hr 180 °F AWT	WEIGHT (Lbs)	PIPE FROM WALL (mm)	PIP O/C (mm)	STOCK STATUS
STR 4	745	29.3	425	16.7	1208	1638	2047	22	50.00	518.00	stock
STR 6	745	29.3	625	24.6	1762	2389	2986	33	50.00	718.00	stock

North American Distribution: Barrie, Ontario, Canada Tel: 1-888-719-9913 Fax: 1-888-903-3340

EXPRESS RADIANT LTD. PURSUE A POLICY OF CONTINUING IMPROVEMENT IN DESIGN AND PERFORMANCE OF THE PRODUCTS WE SELL. THE RIGHT IS THEREFORE RESERVED TO VARY SPECIFICATIONS AND PRICING WITHOUT NOTICE.

## Thermostatic Radiator Valve Sets

### 1. Herz Angle 1/2" Mini Set for PEX Pipe

**PRODUCT CODE: VA-1773481P (formerly V-1773484P)**



Set of 1/2" angle nickel plated brass thermostatic control valves for connection to 1/2" PEX pipe. (Uses M22 x 1/2" PEX fittings Part # V-1606603 included). Chrome pipe can be used model # V-C16600

**The valve kit includes:**

- Bi-directional supply valve which can be fitted on the supply or return of the radiator
- Return lock shield valve for flow balancing or isolation operated by a 5/16" or 8mm Allen key (not supplied)
- The smallest thermostatic operating head on the market, with temperature settings from 0°C - 30°C with frost protection at 6°C
- This valve will fit all Express Radiant, Stelrad radiators and towel warmers

**BOX QTY. 20**

### 2. Herz Angle 1/2" Mini Set for Copper Pipe

**PRODUCT CODE: VA-1773481C (formerly V-1773484C)**



Set of 1/2" angle nickel plated brass thermostatic control valves for connection to 1/2" copper pipe. (Uses M22 x 1/2" copper compression fittings Part # V-1606602 included).

**The valve kit includes:**

- Bi-directional supply valve which can be fitted on the supply or return of the Radiator
- Return lock shield valve for flow balancing or isolation operated by a 5/16" or 8mm Allen key (not supplied)
- The smallest thermostatic operating head on the market, with temperature settings from 0 °C - 30 °C with frost protection at 6 °C
- This valve will fit all Express Radiant, Stelrad radiators and towel warmers

**BOX QTY. 20**

### 3. Herz Angle Valve Set For NPT 1/2" Pipe Thread

**PRODUCT CODE: VA-NPTTRVSET**



Set of 1/2" robust angle nickel plated brass thermostatic control valves for connection to 1/2" pipe thread, nipples or adaptors to various pipe dimensions and types.

**The valve kit includes:**

- Supply valve which must be fitted on the supply of the radiator
- Return lock shield valve for flow balancing or isolation operated by a 5/16" or 8mm Allen key (not supplied)
- Thermostatic operating head with temperature settings from 6°C - 28°C with frost protection at 6°C
- This valve will fit all Express Radiant, Stelrad radiators and towel warmers

### 4. Herz Straight Valve Set For NPT 1/2" Pipe Thread

**PRODUCT CODE: VA-NPTST**



Set of 1/2" robust straight nickel plated brass thermostatic control valves for connection to 1/2" pipe thread, nipples or adaptors to various pipe dimensions and types.

**The valve kit includes:**

- Supply valve which must be fitted on the supply of the radiator
- Return lock shield valve for flow balancing or isolation operated by a 5/16" or 8mm Allen key (not supplied)
- Thermostatic operating head with temperature settings from 6°C - 28°C with frost protection at 6°C
- This valve will fit all Express Radiant, Stelrad radiators and towel warmers

### 5. Herz Replacement Valve Inserts

**PRODUCT CODE: V-1639091 V-1639090**



Replacement valve insert for all 1/2" thermostatic valves sold in North America. This can be changed with system under pressure using Herz change tool V-1778000 or during routine maintenance.

**Herz Replacement Valve Inserts, PRODUCT CODE V-1639091**

**Herz Replacement Valve Insert for Mini Set, PRODUCT CODE V-1639090**

North American Distribution: Barrie, Ontario, Canada Tel: 1-888-719-9913 Fax: 1-888-903-3340

## 18 Thermostatic Radiator Valve Sets

### 6. Herz Straight Valve Set For Copper

PRODUCT CODE: VA- ST1773367C



Set of ½" straight nickel plated brass thermostatic control valves for compression connection to ½" copper pipe. (Uses G3/4 X ½" Copper Fittings Part # V-1627616 included). Chrome pipe can be used Model # V-C16600.

**The valve kit includes:**

- Supply valve which must be fitted on the supply of the radiator
- Return lock shield valve for flow balancing or isolation operated by a 5/16" or 8mm Allen key (not supplied)
- Thermostatic operating head with temperature settings from 6°C - 28°C with frost protection at 6°C.
- This valve will fit all Express Radiant, Stelrad radiators and towel warmers

### 7. Herz Straight Valve Set For PEX

PRODUCT CODE: VA-ST1773367P



Set of ½" straight nickel plated brass thermostatic control valves for connection to ½" PEX pipe. (Uses G3/4 X ½" PEX Fittings Part # V-1609803 included)

**The valve kit includes:**

- Supply valve which must be fitted on the supply of the radiator
- Return lock shield valve for flow balancing or isolation operated by a 5/16" or 8mm Allen key (not supplied)
- Thermostatic operating head with temperature settings from 6°C - 28°C with frost protection at 6°C
- This valve will fit all Express Radiant, Stelrad radiators and towel warmers

### 8. Herz Reverse Angle (LH) Valve Set For NPT ½" Pipe Thread

PRODUCT CODE: VA-NPTLH



Set of ½" reverse angle nickel plated brass thermostatic control valves for connection to ½" pipe thread. This valve pattern allows the thermostatic head to be mounted in a vertical configuration on the left side of the radiator.

**The valve kit includes:**

- Supply valve which must be fitted on the supply of the radiator
- Return lock shield valve for flow balancing or isolation operated by a 5/16" or 8mm Allen key (not supplied)
- Thermostatic operating head with temperature settings from 6°C - 28°C with frost protection at 6°C
- This valve will fit all Express Radiant, Stelrad radiators and towel warmers

### 9. Herz Reverse Angle (RH) Valve Set For NPT ½" Pipe Thread

PRODUCT CODE: VA-NPTRH



Set of ½" reverse angle nickel plated brass thermostatic control valves for connection to ½" pipe thread. This valve pattern allows the thermostatic head to be mounted in a vertical configuration on the right side of the radiator.

**The valve kit includes:**

- Supply valve which must be fitted on the supply of the radiator
- Return lock shield valve for flow balancing or isolation operated by a 5/16" or 8mm Allen key (not supplied)
- Thermostatic operating head with temperature settings from 6°C - 28°C with frost protection at 6°C
- This valve will fit all Express Radiant, Stelrad radiators and towel warmers

### 10. Herz ½" Copper Compression Connector

PRODUCT CODE: V-1627616



G 3/4"X ½" Copper Compression Connector

## Thermostatic Radiator Valve Sets

### 11. Herz Reverse Angle (RH) Valve Set For PEX Pipe

PRODUCT CODE: VA-PEXRH



Set of ½" reverse angle nickel plated brass thermostatic control valves for connection to ½" PEX. This valve pattern allows the thermostatic head to be mounted vertical on the right side of the radiator. (Uses G3/4 X ½" PEX Fittings Part # V-1609803 Included).

**The valve kit includes:**

- Supply valve which must be fitted on the supply (right) side of the radiator
- Return lock shield valve for flow balancing or isolation operated by a 5/16" or 8mm Allen key (not supplied)
- Thermostatic operating head with temperature settings from 6°C - 28°C with frost protection at 6°C
- This valve will fit all Express Radiant, Stelrad radiators and towel warmers

### 12. Herz Reverse Angle (LH) Valve Set For PEX Pipe

PRODUCT CODE: VA-PEXLH



Set of ½" reverse angle nickel plated brass thermostatic control valves for connection to ½" PEX. This valve pattern allows the thermostatic head to be mounted vertical on the left side of the radiator. (Uses G3/4 X ½" PEX Fittings Part # V-1609803 Included)

**The valve kit includes:**

- Supply valve which must be fitted on the supply (left) side of the radiator
- Return lock shield valve for flow balancing or isolation operated by a 5/16" or 8mm Allen key (not supplied)
- Thermostatic operating head with temperature settings from 6°C - 28°C with frost protection at 6°C
- This valve will fit all Express Radiant, Stelrad radiators and towel warmers

### 13. Herz Reverse Angle (LH) Valve Set For Copper Pipe

PRODUCT CODE: VA-CULH



Set of ½" reverse angle nickel plated brass thermostatic control valves for connection to ½" copper. This valve pattern allows the head to be mounted vertical on the left side of the radiator. (Uses G3/4 X ½" Copper Fittings Part # V-1627616 Included). Chrome pipe can be used Model # V-C16600.

**The valve kit includes:**

- Supply valve which must be fitted on the supply (left) side of the radiator
- Return lock shield valve for flow balancing or isolation operated by a 5/16" or 8mm Allen key (not supplied)
- Thermostatic operating head with temperature settings from 6°C - 28°C with frost protection at 6°C
- This valve will fit all Express Radiant, Stelrad radiators and towel warmers

### 14. Herz Reverse Angle (RH) Valve Set For Copper Pipe

PRODUCT CODE: VA-CURH



Set of ½" reverse angle nickel plated brass thermostatic control valves for connection to ½" copper. This valve pattern allows the head to be mounted vertical on the right side of the radiator. (Uses G3/4 X ½" Copper Fittings Part # V-1627616 Included). Chrome pipe can be used Model # V-C16600.

**The valve kit includes:**

- Supply valve which must be fitted on the supply (right) side of the radiator
- Return lock shield valve for flow balancing or isolation operated by a 5/16" or 8mm Allen key (not supplied)
- Thermostatic operating head with temperature settings from 6°C - 28°C with frost protection at 6°C
- This valve will fit all Express Radiant, Stelrad radiators and towel warmers

### 15. Herz ½" Pex Compression Connector

PRODUCT CODE: V-1609803



G 3/4" X ½" PEX Connector

## 20 Radiator Connectors

### 16. Herz Straight 1/2" Union Connector

PRODUCT CODE: V-1414401 (Single) VA-1414401 (Pair)



- 1/2" NPT straight nickel plated brass union radiator connector (s)
- This will fit all Express Radiant, Stelrad radiators and towel warmers

### 17. Herz Angle 1/2" Union Connector

PRODUCT CODE: V-1414501 (Single) VA-1414501 (Pair)



- 1/2" NPT angle nickel plated brass union radiator connector (s)
- This will fit all Express Radiant, Stelrad radiators and towel warmers

### 18. Herz M22 x 1/2" PEX Compression Connector

Product Code: V-1606603



M22 X 1/2" PEX Adapter Fitting

### 19. Herz Angle Connectors for Copper Pipe PRODUCT CODE: V-1624201C (Single) VA-1624201C (Pair)



- 1/2" copper compression angle nickel plated brass union radiator connector (s)  
 (Uses M22 X 1/2" Copper Fittings Part # V-1606602 Included)  
 Chrome pipe can be used Model # V-C16600
- This connector requires no tape just a smear of pipe dope
  - This will fit all Express Radiant, Stelrad radiators and towel warmers

### 20. Herz Angle Connectors for PEX Pipe PRODUCT CODE: V-1624201P (Single) VA-1624201P (Pair)



- 1/2" PEX compression angle nickel plated brass union radiator connector (s)  
 (Uses M22 X 1/2" PEX Fittings Part # V-1606603 Included)
- This connector requires no tape just a smear of pipe dope.
  - This will fit all Express Radiant, Stelrad radiators and towel warmers

### 21. Herz M 22 X 1/2" Copper Compression Adapter

PRODUCT CODE: V-1606602



M22 X 1/2" Copper Connector

## Radiator Connectors

21

### 22. Herz Straight 1/2" Copper Connectors PRODUCT CODE: V-1300231C (Single) VA-1300231C (Pair)



1/2" Copper compression straight nickel plated brass radiator connector (s)  
(Uses G3/4" x 1/2" copper connector Part # V-1627616 included)  
Chrome pipe can be used model # V-C16600

- No tape or dope required
- This will fit all Express Radiant, Stelrad radiators and towel warmers

### 23. Herz Straight 1/2" PEX Connectors PRODUCT CODE: V-1300231P (Single) VA-1300231P (Pair)



1/2" PEX compression straight nickel plated brass radiator connector (s)  
(Uses G3/4" x 1/2" PEX connector Part # V-1609803 included)

- No tape or dope required
- This will fit all Express Radiant, Stelrad radiators and towel warmers

## Radiator Valves

### 24. Herz Angle Lock Shield valve 1/2" PEX PRODUCT CODE: V-1374801P (PEX) V-1374801C (Copper)



1/2" PEX and Copper

- This will fit all Express Radiant, Stelrad radiators and towel warmers

### 25. Herz Thermostatic Angle valve body 1/2" PEX PRODUCT CODE: V-1772437P (PEX) V-1772437C (Copper)



1/2" PEX and Copper

- This will fit all Express Radiant, Stelrad radiators and towel warmers

### 26. Herz Thermostatic Reverse Angle Left hand valve body PRODUCT CODE: V-1775991



Herz Thermostatic Reverse Angle

- Left Hand Valve Body
- 1/2" NPT

### 27. Herz Thermostatic Reverse Angle Right hand valve body PRODUCT CODE: V-1775891



Herz Thermostatic Reverse Angle

- Right Hand Valve Body
- 1/2" NPT

## 22 Radiator Valves

### 28. Herz Angle 1/2" NPT Thermostatic Valve Body

PRODUCT CODE: V-1772456



1/2" NPT pipe thread angle nickel plated brass thermostatic radiator control Valve.

- This will fit all Express Radiant, Stelrad radiators and towel warmers

### 29. Herz Angle 1/2" NPT Lock Shield Valve

PRODUCT CODE: V-1342456



1/2" NPT pipe thread angle nickel plated brass return lock shield valve used for Isolation and flow balancing.

- This will fit all Express Radiant, Stelrad radiators and towel warmers

### 30. Herz Straight 1/2" NPT Thermostatic Valve Body

PRODUCT CODE: V-1772391



1/2" NPT pipe thread straight nickel plated brass thermostatic radiator control Valve.

- This will fit all Express Radiant, Stelrad radiators and towel warmers

### 31. Herz Straight 1/2" NPT Lock Shield Valve

PRODUCT CODE: V-1372341



1/2" NPT pipe thread straight nickel plated brass return lock shield valve used for isolation and flow balancing.

- This will fit all Express Radiant, Stelrad radiators and towel warmers

### 32. Herz 1/2" Left Hand NPT Thread Tail Piece

PRODUCT CODE: V-105LHTP



1/2" left hand thread suitable for older cast iron column radiators fits all 1/2" Herz Valves except mini set V-1773481C & V-1773481P.

## Radiator Valves

23

### 33. Herz Straight 1/2" PEX Thermostatic Valve Body PRODUCT CODE: V-1773367P (PEX) V-1773367C (Copper)



- 1/2" PEX straight nickel plated brass thermostatic radiator control valve
- This will fit all Express Radiant, Stelrad radiators and towel warmers

### 34. Herz Straight 1/2" PEX Lockshield Valve PRODUCT CODE: V-1373311P (PEX) V-1373311C (Copper)



- 1/2" PEX straight nickel plated brass return lock shield valve used for isolation and flow balancing.
- This will fit all Express Radiant, Stelrad radiators and towel warmers

### 35. Herz 3/4" Left Hand NPT Thread Tail Piece PRODUCT CODE: V-175LHTP



- 3/4" left hand thread suitable for older cast iron column radiators fits all 3/4" Herz radiator valves

### 36. Herz 3/4" Angle NPT Thermostatic Valve Set (No Head) PRODUCT CODE: VA-1772492



- 3/4" NPT pipe thread angle nickel plated brass thermostatic radiator control valve set.

## 24 Radiator Valves

### 37. Herz 1/2" Angle NPT Low Pressure Drop Valve Set (No Head)

PRODUCT CODE: VA-1772411



1/2" NPT pipe thread angle nickel plated brass thermostatic valve set suitable for mono flow single pipe systems that require a very low pressure drop across the supply and return valves.

- This will fit all Express Radiant, Stelrad radiators and towel warmers

### 38. Herz Pressure Differential By-Pass

PRODUCT CODE: VA-400405 (1/2")



1/2" straight nickel plated brass pressure by-pass with 2 unions.

- This valve is used to automatically by-pass heating fluid down stream of the circulator directly back to the boiler when flow demand is reduced or increased by thermostatic valves or zone valves in the system
- This valve will protect the circulator from a dead head situation and also prevent velocity noise in the system
- Fully adjustable

### 39. Herz Valve Insert Change Tool

PRODUCT CODE: V-1778000



Herz valve insert change tool.

- For changing valve insert without draining down system or radiator

### 40. Herz Non-Electric Thermostatic Head

PRODUCT CODE: V-1726006



Thermostatic head, liquid filled. Operating temperature range: 6°C - 30°C  
Frost protection at 6°C, comfort level at scale mark 3.

- Fits all Herz Thermostatic valve bodies
- Used for sensing room temperature and automatically adjusting flow of liquid through valve body and radiator or heat emitter

### 41. Herz Remote Wall Thermostat

PRODUCT CODE: V-1933005



Remote wall thermostat with 2m (80") capillary tube.

- Fits all Herz Thermostatic valve bodies

### 42. Herz Multi-purpose Key

PRODUCT CODE: V-1662500



Herz multi-purpose key.

- For adjusting lock shield valves and bleeding radiators

### 43. Herz Remote Contact Sensor 20°C-50°C

PRODUCT CODE: V-1742106



Remote contact sensor for sensing the surface temperature of a pipe and adjusts the flow rate of a Herz valve to limit the heat at a pre-set temperature of between 20°C (68°F) and 50°C (122°F)

- 2M (80") capillary tube
- Fits all Herz Thermostatic valve bodies

### 44. Herz Remote Contact Sensor 40°C-70°C

PRODUCT CODE: V-1742100



Remote contact sensor for sensing the surface temperature of a pipe and adjusts the flow rate of a Herz valve to limit the heat at a pre-set temperature of between 40°C (104°F) and 70°C (158°F)

- 2M (80") capillary tube
- Fits all Herz Thermostatic valve bodies

### 45. Herz Remote Air Sensor

PRODUCT CODE: V-1746006



Remote sensor for sensing ambient air temperature of a pipe and adjusts the flow rate of a Herz valve to limit the heat at a pre-set temperature of between 6°C (42°F) and 30°C (86°F)

- 2M (80") capillary tube
- Fits all Herz Thermostatic valve bodies

### 46. Herz Liquid Sensing Thermostatic Head

PRODUCT CODE: V-1720100



Contact sensing thermostatic head for sensing ambient water temperature of a valve and adjusts the flow rate of a Herz valve to limit the heat at a pre-set temperature of between 25°C (77°F) and 60°C (140°F)

- Good for use with radiant in-floor applications or any application that requires a fixed discharge water temperature between 25°C (77°F) and 60°C (140°F).
- Fits all Herz Thermostatic valve bodies

### 47. Stelrad Radiator Air Bleeder Key

PRODUCT CODE: V-VENT KEY



Air bleeder key used for all Express Radiant, Stelrad radiators and towel warmers.

### 48. Manual 1/2" Angle Cross Head Valves

**PRODUCT CODE: V-CROSSH16-P or V-CROSSH16-C**



1/2" angle chrome plated brass classic cross head radiator valves.  
Has compression fitting to fit standard 1/2" copper or 1/2" PEX tubing

- These attractive operating valves require just a smear of pipe dope and a 12 mm Allen key to secure the tail piece into the radiator or towel warmer. (Not Included)
- These will fit all Express Radiant, Stelrad radiators and towel warmers
- Sold in pairs

### 49. Manual 1/2" Straight Cross Head Valves

**PRODUCT CODE: V-CROSSH16S-P or V-CROSSH16S-C**



1/2" angle chrome plated brass classic cross head radiator valves.  
Has compression fitting to fit standard 1/2" copper or 1/2" PEX tubing

- These attractive operating valves require just a smear of pipe dope and a 12 mm Allen key to secure the tail piece into the radiator or towel warmer. (Not Included)
- These will fit all Express Radiant, Stelrad radiators and towel warmers
- Sold in pairs

### 50. 1/2" X 24" Chrome Tubing

**PRODUCT CODE: V-C16600**



1/2" chrome plated brass tubing 24" long.

- Will fit to all Herz copper compression valves
- Easy to solder just remove chrome plating with file and solder to any fitting or use compression fittings

### 51. 1/2" X 8" Chrome and White Radsnaps

**PRODUCT CODE: V-RSC8 (Chrome) V-RSW8 (White)**



1/2" chrome or white pipe covering sleeves, 10 pcs 8" long.

- The pipe sleeves can be installed easily around exposed piping and give the appearance of white or chrome pipework
- The individual pieces can be cut with scissors to the required length and snapped around the exposed pipe

### 52. 1/2" X 40" Chrome and White Pipesnaps

**PRODUCT CODE: V-PIPESNAPC (Chrome) V-PIPESNAPW (White)**



1/2" chrome or white pipe covering sleeves, 3 pieces 40" (1m) long.

- The pipe sleeves can be installed easily around exposed piping and give the appearance of white or chrome pipework
- The individual pieces can be cut with scissors to the required length and snapped around the exposed pipe

## 53. Stelrad Compact Floor Standing Bracket

PRODUCT CODE: FS BRACKET



Stelrad floor standing bracket for compact radiators

- Sold as single universal height
- Sold as single

## 54. White Ladder Rail Brackets

PRODUCT CODE: V-WBLRCW (Curved white) V-WBLRSW (Straight white)



Replacement wall brackets for Stelrad ladder rail towel warmers

## 55. Chrome Ladder Rail Brackets

PRODUCT CODE: V-WBLRCC (Curved chrome) V-WBLRSC (Straight chrome)



Replacement wall brackets for Stelrad ladder rail towel warmers

## 56. Stelrad Classic Column Floor Standing Brackets

PRODUCT CODE: V-CLFS



Floor standing brackets for classic column radiators

- Sold in pairs

### 57. Radiant In-Floor controller with Remote sensor

**PRODUCT CODE: VA-1810010**



The Herz VA-1810010 radiant in-floor controller will mechanically control a radiant in-floor zone using a Herz V-1933005 remote sensor with 6 ft capillary tubing. This sensor can be mounted remote from the box as shown above, or directly on the box using the wall plate supplied, as shown right above.

- The connections are ½" PEX max loop length 30 m
- Each controller can adjust the ambient water temperature by using the knurled thumb screw located at the bottom of the brass valve body
- The valve is equipped with an air bleeder, isolation valves and blank face plate
- Includes PEX fittings V-1609803

### 58. Extensions



Extensions for radiator valve connections

**PRODUCT CODE: V-EXT20 20mm (¾")**  
**PRODUCT CODE: V-EXT30 30mm (1 ¼")**  
**PRODUCT CODE: V-EXT40 40mm (1 ½")**

### 59. Stelrad Compact Radiator Wall Brackets

Replacement wall brackets, sold in pairs



**PRODUCT CODE: V-WB300**  
**PRODUCT CODE: V-WB450**  
**PRODUCT CODE: V-WB600**  
**PRODUCT CODE: V-WB700**

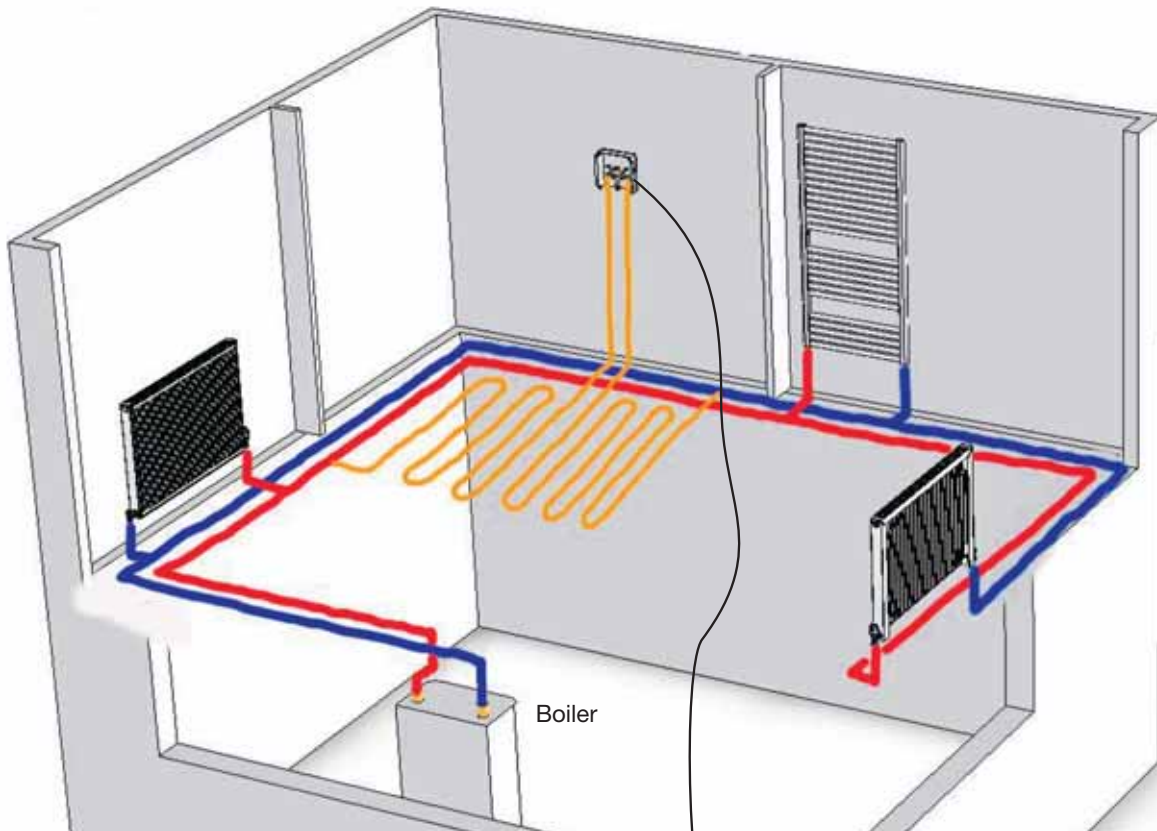
### 60. Stelrad Replacement Hardware Pack

**PRODUCT CODE: V-HARDWARE**



Stelrad hardware pack for compact and style radiators.  
 Includes nickel plated air vent, blank plug and bracket isolators.

## 30 Two Pipe System using Herz Radiant In-Floor Mechanical Modulating Controller



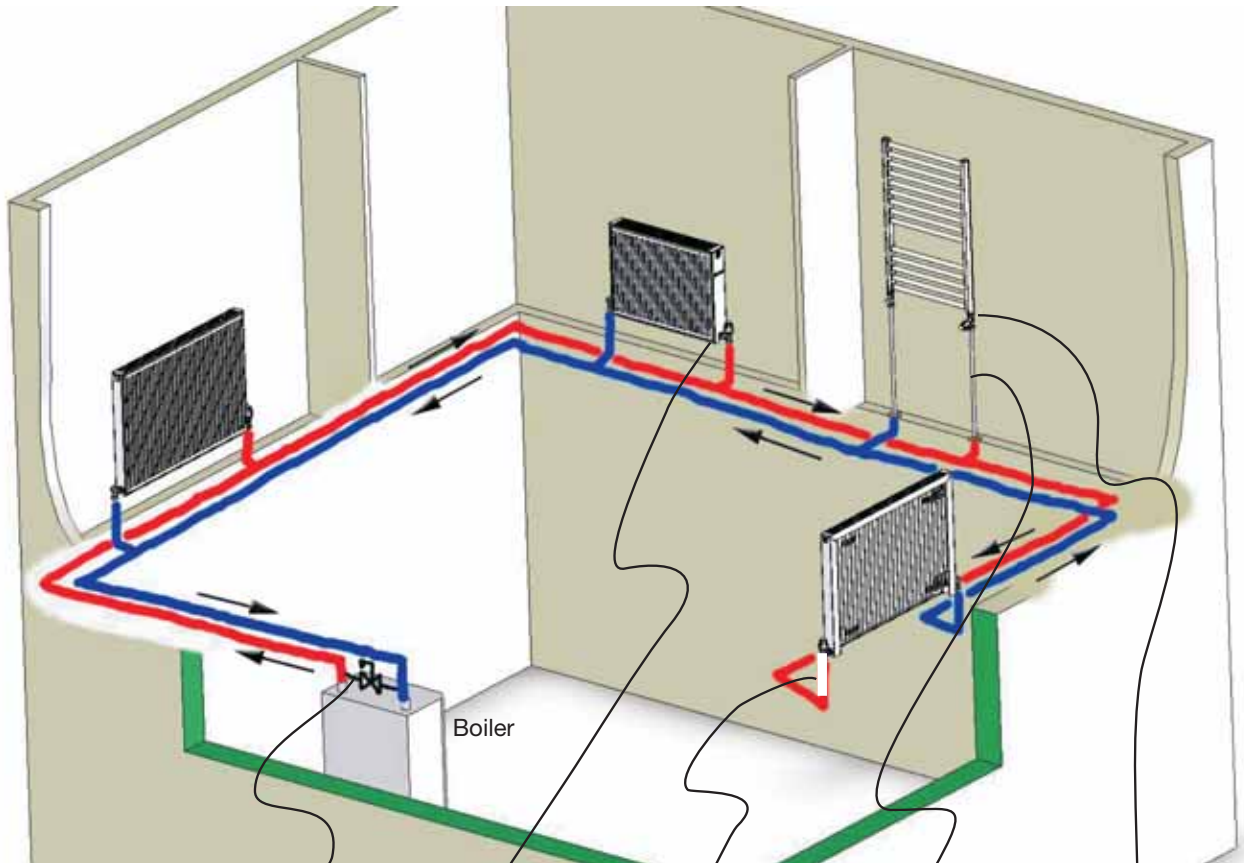
(°C)  
Water Temperature setting



**PRODUCT CODE:**  
**VA-1810010**  
Mechanical non-electric  
Radiant In-floor controller  
With remote sensor

This piping system utilizes the Herz VA-1810010 mechanical controller for a integrated radiant in-floor application with a max loop length of 30 m. This controller will control the air temperature in the room and the water temperature entering the floor simultaneously, offering flexibility for comfort and efficiency. This controller is designed to be recessed in a stud wall or a vanity cabinet for example. The control head (Part # V-1933005 item #42) has a 6 ft capillary tube. The controller can also be operated by a 24 volt thermal actuator which would be controlled by a remote 24 volt thermostat (not supplied).

Two Pipe Direct Return System



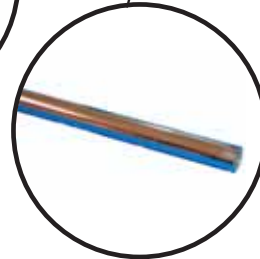
**PRODUCT CODE:**  
**VA-400405**  
Automatic bypass



**PRODUCT CODE:**  
**V-1773481P**  
Shown here are  
PEX valves



**PRODUCT CODE:**  
**V-RSW8**  
To cover  
exposed pipe



**PRODUCT CODE:**  
**V-C16600**  
Chrome plated drop tube  
24" long



**PRODUCT CODE:**  
**VA-ST1773367C**  
Straight copper or  
chrome pipe valve set  
for towel warmer

The two pipe direct return pipe system is the most popular of piping systems using a common supply and return. As flow requirements decrease the pipe diameter can also be decreased. Using the lock shield valves provided it is possible to accurately balance the system to achieve an optimum flow rate. The modulating thermostatic valves will control each individual space for maximum comfort and efficiency. This information is intended as a guide only. Use competent qualified installers for pipe sizing and installation.

## Express Radiant Ltd. Conditions of Sale (Canada & US)

UNLESS VARIED BY EXPRESS RADIANT LTD. IN WRITING, ALL GOODS ARE SOLD ONLY UPON THE FOLLOWING TERMS AND CONDITIONS:

1. **Quotations:** Are valid for acceptance for 28 days from the date shown unless withdrawn by us before that date and are subject to our written acceptance of the Buyer's order.
2. **Prices and Discounts:** Are subject to alteration without notice and are given as a guide only as all Goods, as hereinafter defined, are sold at prices ruling on date of dispatch. Prices are exclusive of applicable taxes which will be added to the Buyer's invoice where applicable.
3. **Delay and Cancellations:** Any delivery date indicated shall be regarded as an estimate only, although we shall make every effort to ensure prompt delivery. Whilst every effort will be made to carry out the contract, its due performance is subject to cancellation by us without compensation or to such variation as we may find necessary as a result of a scarcity of labour, materials or supplies, or because of any Act of God, war, strike, lockout or other labour dispute, fire, the elements, legislation, or (without prejudice to the generality of the foregoing) any other cause beyond our control.
4. **Delivery & Risk:** Delivery shall be when the goods set out in the applicable invoice (the "Goods") have been delivered to the Buyer's premises or to such other place as the Buyer may require. This risk shall pass to the Buyer when the Goods have been delivered.
5. **Transport:** Will be effected or arranged by us and Goods will be delivered to destinations in agreed areas carriage paid unless:
  - (a) value of order for Goods is less than \$100; or (b) we are informed by the Buyer in writing that the Goods are to be transported by other special delivery, the extra carriage charges for which will be added to the Buyer's invoice.
6. **Damage in Transit:** we will entertain no claim for Goods lost or damaged in transit unless notification of the nature and extent of such a claim is received by us and the Carrier either upon receipt of delivery of damaged Goods, or within 28 days of receipt of delivery of the damaged Goods. Our liability shall in no circumstances exceed the invoiced value of the Goods lost or damaged. Goods subject to claim, shall be stored free of charge for inspection. They shall not be returned to nor accepted by us without written consent.
7. **Exclusion of Warranties:**
  - (a) THE BUYER ACKNOWLEDGES THAT EXPRESS RADIANT LTD. ("EXPRESS") IS NOT THE MANUFACTURER OF THE GOODS. EXPRESS MAKES NO REPRESENTATION OR WARRANTY, EXPRESS, IMPLIED OR STATUTORY AS TO THE CONDITION FOR FITNESS OF THE GOODS AND HEREBY SPECIFICALLY DISCLAIMS ANY WARRANTY OF MERCHANTABILITY OR FITNESS FOR ANY PARTICULAR PURPOSE. EXPRESS WILL, HOWEVER, USE COMMERCIALY REASONABLE EFFORTS, AS REQUESTED BY THE BUYER, TO ASSIST THE BUYER IN ENFORCING ANY WARRANTY THAT THE MANUFACTURER OF THE GOODS MAY HAVE IN EFFECT. EXPRESS SHALL HAVE NO LIABILITY FOR ANY DAMAGES, INCLUDING CONSEQUENTIAL, INCIDENTAL, SPECIAL, COLLATERAL, PUNITIVE, EXEMPLARY OR INDIRECT DAMAGES (INCLUDING WITHOUT LIMITATION LOSS OF GOODWILL, LOSS OF PROFITS OR REVENUES, LOSS OF SAVINGS, LOSS OF USE, INTERRUPTION OF BUSINESS AND CLAIMS OF BUYERS ARISING OUT OF THE USE OF THE GOODS OR OTHERWISE. EXPRESS SPECIFICALLY DISCLAIMS ANY WARRANTY THAT THE GOODS ARE IN COMPLIANCE WITH ANY APPLICABLE GOVERNMENTAL REQUIREMENTS OR REGULATIONS.
  - (b) Goods subject to claim shall not be returned to us and we will not accept them without our prior written consent.
  - (c) **Any returned Goods that we accept back after 30 days will be subject to a restocking fee of 20% on panel radiators, 50% on columns and style radiators, 20% on all valves.**
8. **Dimensions and Illustrations:** Our price lists and publicity brochures have been prepared with every care but their accuracy is not guaranteed and we reserve the right to vary such information without notice. Exact dimensions will be provided on application.
9. **Payment:** All invoices shall be due for payment on the terms set out therein which shall be **net 30 days**. Default in payment of any invoice shall entitle us to treat any outstanding contracts between us and the Buyer as repudiated by the Buyer, however such repudiation shall in no way relieve the Buyer of its obligations to pay amounts then outstanding to Express, including interest thereon.
10. **Ownership:**
  - (a) Notwithstanding any passing of risk to the Buyer we retain ownership of the Goods the subject matter of this contract the property in which shall not pass to the Buyer and the Buyer shall keep any Goods delivered to us as bailee for and on our behalf until we have received full payment of the price of all Goods (whether or not the Goods are delivered in installments and some have been paid for by the Buyer) and all other sums due at any time whatsoever from the Buyer to us.
  - (b) Until ownership of the Goods has been passed to the Buyer, the Buyer:
    - (i) shall insure the delivered Goods against any loss or damage with an insurance company of repute;
    - (ii) shall store the delivered Goods separately or in some other way ensure that they are readily identifiable as our property.
    - (iii) Irrevocably authorizes our representatives at any time and from time to time (whether or not payment is due) to repossess the Goods and for such purpose to enter any premises occupied by the Buyer or where the Goods are or are thought to be and to sever the Goods from anything to which they are attached without being responsible for any damage caused
    - (iv) Shall keep the delivered Goods free from any charge, lien or other encumbrance.
      - (A) If while under our ownership the Goods or any of them are processed or incorporated into other Goods (the "New Goods") then, provided the goods remain a readily identifiable and removable part of the New Goods, the provision of clauses (a) and (b) shall apply.
      - (B) We (acting on our own account not as agent for the Buyer) may sell or agree to sell any of the Goods or the New Goods in our possession on such terms as we may in our sole discretion consider appropriate.
      - (C) We shall be entitled to a general lien over all Goods and materials of the Buyer which are in our possession or control from time to time for any sums due at any time whatsoever from the Buyer to us.
      - (D) Nothing in this clause 10 shall affect any other of our rights or remedies.
      - (E) The provisions of this clause 10 shall survive termination of the contract for any reason.
11. **Limitation of Liability:**
  - (a) The rights conferred by these conditions shall so far as legally possible replace and exclude all common law, statutory or other warranties or conditions whether express or implied. Save as specifically mentioned above we do not accept liability, in tort or contract or otherwise, for any direct or indirect loss or damage, howsoever arising.
  - (b) In no event will Express be liable for any indirect, incidental, consequential, special, punitive or exemplary damages, or any other damages (including, without limitation, damages for loss of business profits, business interruption, personal injury, failure to meet any duty including acts of good faith or of reasonable care, lack of diligence, and for any other pecuniary or other loss whatsoever) arising out of or in any way connected with the use of the Goods, the delay in delivery of the Goods, even in the event of fault, tort (including negligence), strict liability, breach of contract, or breach of warranty of Express and even if Express has been advised of the possibility of such damages. These limitations and exclusions regarding damages apply even if any remedy fails.
  - (c) Notwithstanding the foregoing, in no event will Express be liable to the Buyer for any amount in excess of the price paid by the Buyer to Express for the Goods.
  - (d) Some jurisdictions do not allow the exclusion of certain warranties or the limitation or exclusion of liability for incidental or consequential damages. Accordingly, some of the above limitations may not apply to the Buyer.
12. **Waiver:** Our rights shall not be affected or restricted by any indulgence or forbearance to the Buyer. No waiver by us of any breach shall operate as a waiver of any other breach.
13. **Variation of Conditions:** No variation of these conditions or the particulars in our acceptances shall be valid unless agreed by us in writing.
14. **Law:** This agreement shall be governed by the laws of the Province of Ontario and the laws of Canada applicable therein. Any dispute regarding this agreement shall be referred to a single arbitrator appointed by a Judge of the Superior Court of Justice sitting in Toronto, which arbitration shall proceed in accordance with the provisions of the *Arbitration Act, 1991* (Ontario), as amended.

**ExpressRadiant**

Barrie, Ontario, Canada

Tel: 705 730 6868 / 1 888 719 9913 Fax: 705 730 1949 / 1 888 903 3340