

Stelrad Compact K1 & K2 Panel Radiators

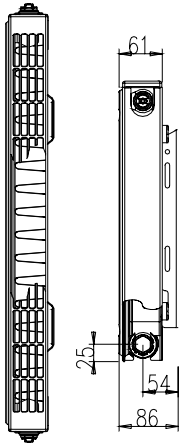


The compact radiator series is available in both a single panel (K1) and double panel (K2) and come in four different heights; from 16 to 28 inches and in lengths from 16 to 120 inches. Most sizes are in-stock items and come with a pair of wall brackets and air plugs for easy installation. The radiators are powder coated white, made of steel and carry a five-year warranty.



4 Stelrad Compact K1 Panel Radiator Sizes & Technical Data

K1 Single Panel



PART # (Inches)	HEIGHT (mm)	LENGTH (mm)	OUTPUT bth/hr 110 °F AWT	OUTPUT bth/hr 140 °F AWT	OUTPUT bth/hr 160 °F AWT	OUTPUT bth/hr 180 °F AWT	WEIGHT (Lbs)	STOCK STATUS
K1 12 20	300	500	305	626	868	1127	10	stock
K1 12 40	300	1000	611	1252	1737	2255	21	stock
K1 12 60	300	1500	916	1878	2605	3381	31	stock
K1 12 80	300	2000	1222	2504	3473	4508	41	stock
K1 12 98	300	2500	1527	3131	4342	5636	51	stock
K1 12 120	300	3000	1833	3756	5210	6763	62	special order
K1 18 16	450	400	363	744	1032	1340	13	stock
K1 18 20	450	500	454	930	1290	1674	16	stock
K1 18 24	450	600	544	1116	1548	2009	19	stock
K1 18 28	450	700	635	1302	1806	2344	22	stock
K1 18 32	450	800	726	1488	2064	2679	26	stock
K1 18 36	450	900	817	1674	2322	3014	29	stock
K1 18 40	450	1000	907	1859	2579	3348	32	stock
K1 18 44	450	1100	998	2045	2837	3682	35	stock
K1 18 48	450	1200	1089	2231	3095	4017	38	stock
K1 18 55	450	1400	1270	2604	3611	4687	45	stock
K1 18 64	450	1600	1452	2976	4127	5357	51	stock
K1 18 72	450	1800	1633	3348	4643	6027	57	stock
K1 18 80	450	2000	1815	3720	5159	6696	64	stock
K1 18 86	450	2200	1996	4092	5675	7366	70	stock
K1 18 94	450	2400	2178	4464	6191	8036	77	stock
K1 18 100	450	2600	2359	4836	6707	8706	83	special order
K1 18 110	450	2800	2541	5208	7223	9375	89	special order
K1 18 120	450	3000	2722	5579	7738	10044	96	special order
K1 24 16	600	400	471	965	1338	1737	17	stock
K1 24 20	600	500	588	1206	1672	2170	22	stock
K1 24 24	600	600	706	1446	2006	2604	26	stock
K1 24 28	600	700	824	1688	2341	3039	30	stock
K1 24 32	600	800	941	1929	2675	3472	35	stock
K1 24 36	600	900	1059	2169	3009	3906	39	stock
K1 24 40	600	1000	1176	2411	3344	4341	43	stock
K1 24 44	600	1100	1294	2652	3678	4774	48	stock
K1 24 48	600	1200	1412	2893	4013	5209	52	stock
K1 24 55	600	1400	1647	3375	4681	6076	61	stock
K1 24 64	600	1600	1882	3857	5350	6944	69	stock
K1 24 72	600	1800	2117	4340	6019	7813	78	stock
K1 24 80	600	2000	2353	4822	6688	8681	87	stock
K1 24 86	600	2200	2588	5304	7356	9548	95	stock
K1 24 94	600	2400	2823	5786	8025	10416	104	stock
K1 24 100	600	2600	3058	6268	8694	11285	113	special order
K1 24 110	600	2800	3293	6751	9363	12153	121	special order
K1 24 120	600	3000	3528	7232	10031	13020	130	special order
K1 28 16	700	400	536	1099	1524	1978	20	stock
K1 28 20	700	500	670	1374	1906	2474	25	stock
K1 28 24	700	600	805	1649	2287	2969	30	stock
K1 28 28	700	700	938	1924	2668	3463	35	stock
K1 28 32	700	800	1073	2198	3049	3958	40	stock
K1 28 36	700	900	1207	2473	3431	4454	46	stock

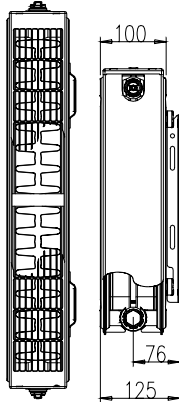
AWT = Average Water Temperature

North American Distribution: 9-740 Huronia Road, Barrie, Ontario, Canada L4N 6C6 Tel: 1-888-719-9913 Fax: 1-888-903-3340

EXPRESS RADIANT LTD. PURSUE A POLICY OF CONTINUING IMPROVEMENT IN DESIGN AND PERFORMANCE OF THE PRODUCTS WE SELL. THE RIGHT IS THEREFORE RESERVED TO VARY SPECIFICATIONS AND PRICING WITHOUT NOTICE.

Stelrad Compact K2 Panel Radiator Sizes & Technical Data

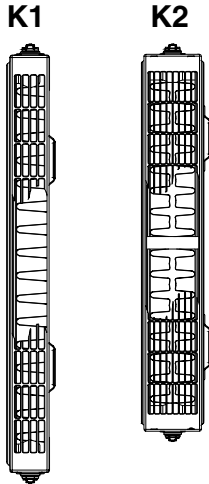
K2 Double Panel



PART # (Inches)	HEIGHT (mm)	LENGTH (mm)	OUTPUT bth/hr 110 °F AWT	OUTPUT bth/hr 140 °F AWT	OUTPUT bth/hr 160 °F AWT	OUTPUT bth/hr 180 °F AWT	WEIGHT (Lbs)	STOCK STATUS
K2 12 20	300	500	589	1208	1675	2174	18	stock
K2 12 40	300	1000	1179	2416	3351	4350	37	stock
K2 12 60	300	1500	1768	3624	5026	6524	55	stock
K2 12 80	300	2000	2357	4831	6701	8698	74	stock
K2 12 98	300	2500	2946	6039	8376	10872	92	stock
K2 12 120	300	3000	3536	7247	10052	13047	111	special order
K2 18 16	450	400	658	1349	1871	2429	23	stock
K2 18 20	450	500	823	1686	2339	3036	28	stock
K2 18 24	450	600	987	2024	2807	3643	34	stock
K2 18 28	450	700	1152	2361	3274	4250	40	stock
K2 18 32	450	800	1316	2698	3742	4857	46	stock
K2 18 36	450	900	1481	3035	4210	5465	51	stock
K2 18 40	450	1000	1646	3373	4678	6072	57	stock
K2 18 44	450	1100	1810	3710	5146	6680	63	stock
K2 18 48	450	1200	1975	4047	5613	7286	68	stock
K2 18 55	450	1400	2304	4722	6549	8501	80	stock
K2 18 64	450	1600	2633	5397	7485	9716	91	stock
K2 18 72	450	1800	2962	6071	8420	10929	103	stock
K2 18 80	450	2000	3291	6746	9356	12144	114	stock
K2 18 86	450	2200	3620	7420	10291	13358	125	stock
K2 18 94	450	2400	3949	8095	11227	14573	137	stock
K2 18 100	450	2600	4278	8769	12162	15786	148	special order
K2 18 110	450	2800	4607	9444	13098	17001	160	special order
K2 18 120	450	3000	4937	10119	14034	18216	171	special order
K2 24 16	600	400	831	1704	2364	3068	31	stock
K2 24 20	600	500	1040	2131	2955	3836	39	stock
K2 24 24	600	600	1247	2557	3546	4603	46	stock
K2 24 28	600	700	1455	2983	4137	5370	54	stock
K2 24 32	600	800	1663	3409	4728	6137	62	stock
K2 24 36	600	900	1871	3835	5319	6904	69	stock
K2 24 40	600	1000	2079	4261	5910	7671	77	stock
K2 24 44	600	1100	2287	4687	6501	8438	85	stock
K2 24 48	600	1200	2495	5113	7092	9205	92	stock
K2 24 55	600	1400	2910	5965	8273	10738	108	stock
K2 24 64	600	1600	3326	6817	9455	12273	123	stock
K2 24 72	600	1800	3742	7669	10637	13807	139	stock
K2 24 80	600	2000	4157	8521	11819	15341	154	stock
K2 24 86	600	2200	4573	9374	13001	16875	169	stock
K2 24 94	600	2400	4989	10226	14183	18410	185	stock
K2 24 100	600	2600	5405	11078	15365	19944	200	special order
K2 24 110	600	2800	5821	11930	16547	21478	216	special order
K2 24 120	600	3000	6236	12783	17729	23012	231	special order
K2 28 16	700	400	941	1929	2676	3473	36	stock
K2 28 20	700	500	1177	2412	3345	4342	45	stock
K2 28 24	700	600	1412	2895	4015	5211	53	stock
K2 28 28	700	700	1648	3377	4684	6080	62	stock
K2 28 32	700	800	1883	3860	5353	6948	71	stock
K2 28 36	700	900	2119	4343	6024	7820	80	stock

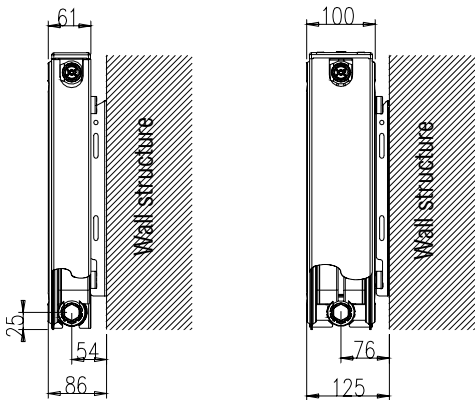
AWT = Average Water Temperature

6 Stelrad Compact K1 & K2 Rough-In and Technical Data

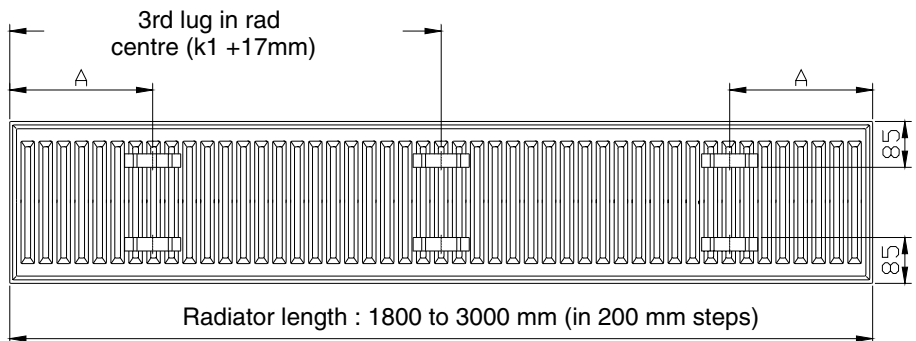
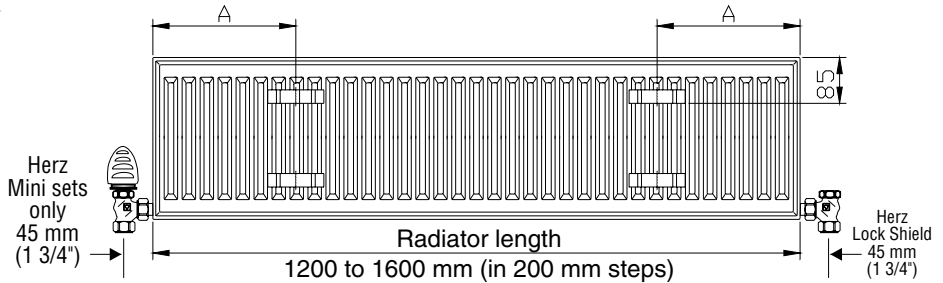
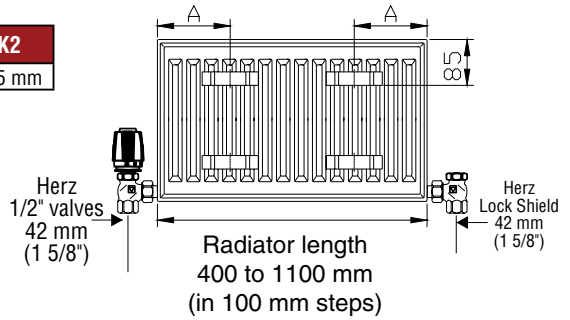


To determine the output of the radiator for average water temperatures other than 180 °F and air temperature of 70 °F apply the correction factor below and multiply by the quoted output of the radiator.

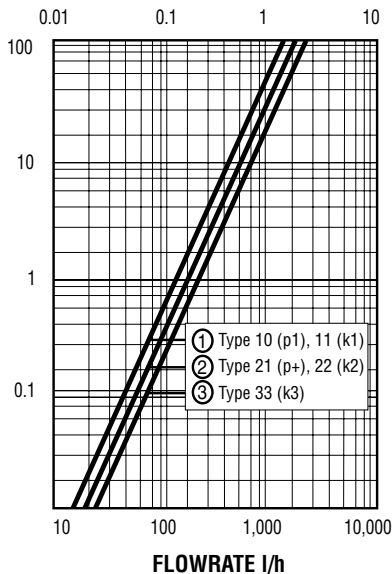
Room Air Temperature (°F)	Average Water Temperature (°F)									
	110	120	130	140	150	160	170	180	190	200
	FACTOR									
80	0.207	0.293	0.384	0.477	0.590	0.690	0.800	0.910	1.026	1.141
75	0.25	0.338	0.430	0.533	0.640	0.745	0.855	0.968	1.083	1.198
72	0.271	0.361	0.453	0.561	0.665	0.772	0.882	0.997	1.112	1.226
70	0.293	0.384	0.477	0.590	0.690	0.800	0.910	1.026	1.141	1.255
65	0.338	0.430	0.533	0.640	0.745	0.855	0.968	1.083	1.198	1.316



A	K1	K2
	150 mm	135 mm



Pressure Drops
VALUE KV



North American Distribution: 9-740 Huronia Road, Barrie, Ontario, Canada L4N 6C6 Tel: 1-888-719-9913 Fax: 1-888-903-3340

EXPRESS RADIANT LTD. PURSUE A POLICY OF CONTINUING IMPROVEMENT IN DESIGN AND PERFORMANCE OF THE PRODUCTS WE SELL. THE RIGHT IS THEREFORE RESERVED TO VARY SPECIFICATIONS AND PRICING WITHOUT NOTICE.