

## Stelrad Style S1 and S2 Panel Radiators

7



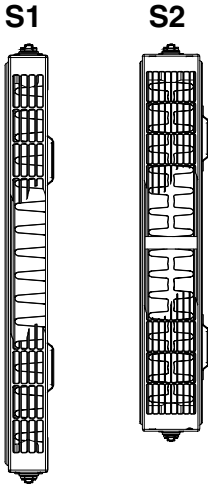
The Stelrad Style Series bridges the gap between standard radiators and the more expensive designer models. If you are working with a tight budget but require a radiator that is unique and attractive, then you have found it with the Style Panel Radiator.

## 8 Stelrad Style S1 and S2 Panel Radiator Sizes and Technical Data

PART # (Inches)	HEIGHT (mm)	LENGTH (mm)	OUTPUT bth/hr 110 °F AWT	OUTPUT bth/hr 140 °F AWT	OUTPUT bth/hr 160 °F AWT	OUTPUT bth/hr 180 °F AWT	WEIGHT (Lbs)	STOCK STATUS
S1 12 20	300	500	270	554	768	997	13.31	stock
S1 12 40	300	1000	540	1107	1535	1992	26.62	stock
S1 12 60	300	1500	862	1766	2450	3180	39.93	stock
S1 12 80	300	2000	1080	2214	3071	3986	53.24	stock
S1 18 20	450	500	399	818	1135	1473	22.67	stock
S1 18 24	450	600	479	982	1362	1768	27.21	stock
S1 18 32	450	800	639	1309	1816	2357	36.27	stock
S1 18 36	450	900	719	1473	2043	2652	40.81	stock
S1 18 44	450	1100	878	1800	2496	3240	49.88	stock
S1 18 48	450	1200	958	1963	2723	3534	54.41	stock
S1 18 64	450	1600	1277	2618	3631	4713	72.55	stock
S1 18 72	450	1800	1437	2945	4085	5302	98.49	stock
S1 24 20	600	500	517	1061	1471	1909	27.36	stock
S1 24 24	600	600	621	1273	1765	2291	32.83	stock
S1 24 32	600	800	828	1697	2354	3055	43.77	stock
S1 24 36	600	900	931	1908	2647	3436	49.24	stock
S1 24 44	600	1100	1138	2333	3236	4200	60.19	stock
S1 24 48	600	1200	1242	2546	3531	4583	65.66	stock
S1 24 64	600	1600	1656	3394	4708	6111	87.54	stock
S1 24 72	600	1800	1863	3818	5296	6874	98.49	stock

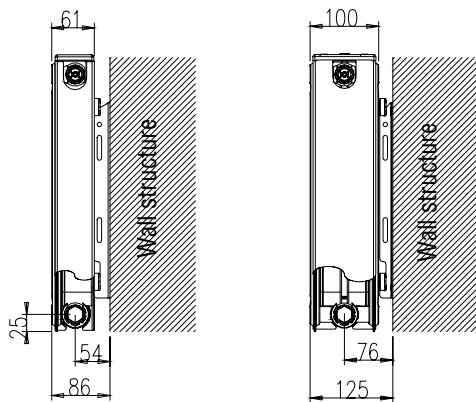
PART # (Inches)	HEIGHT (mm)	LENGTH (mm)	OUTPUT bth/hr 110 °F AWT	OUTPUT bth/hr 140 °F AWT	OUTPUT bth/hr 160 °F AWT	OUTPUT bth/hr 180 °F AWT	WEIGHT (Lbs)	STOCK STATUS
S2 12 20	300	500	518	1063	1474	1913	26.62	stock
S2 12 40	300	1000	1037	2126	2949	3828	53.24	stock
S2 12 60	300	1500	1556	3188	4422	5740	79.86	stock
S2 12 80	300	2000	2074	4251	5896	7653	106.48	stock
S2 18 20	450	500	724	1484	2058	2671	45.34	stock
S2 18 24	450	600	869	1781	2470	3206	54.41	stock
S2 18 32	450	800	1158	2374	3292	4273	72.55	stock
S2 18 36	450	900	1303	2671	3704	4808	81.62	stock
S2 18 44	450	1100	1593	3265	4528	5877	99.75	stock
S2 18 48	450	1200	1737	3561	4939	6411	108.82	stock
S2 18 64	450	1600	2317	4749	6586	8549	145.09	stock
S2 18 72	450	1800	2606	5342	7409	9617	196.97	stock
S2 24 20	600	500	915	1875	2600	3375	54.71	stock
S2 24 24	600	600	1098	2250	3120	4050	65.66	stock
S2 24 32	600	800	1463	2999	4160	5400	87.54	stock
S2 24 36	600	900	1646	3374	4680	6075	98.49	stock
S2 24 44	600	1100	2012	4124	5720	7425	120.37	stock
S2 24 48	600	1200	2195	4499	6240	8100	131.31	stock
S2 24 64	600	1600	2927	5999	8320	10799	175.08	stock
S2 24 72	600	1800	3292	6749	9360	12149	196.97	stock

## Stelrad Style S1 and S2 Rough-In and Technical Data

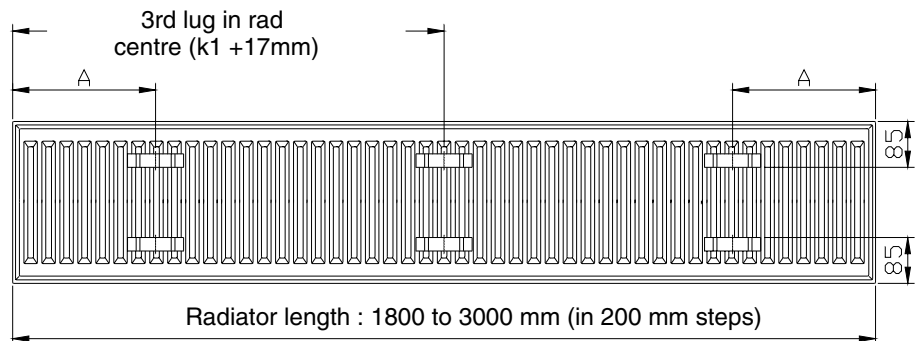
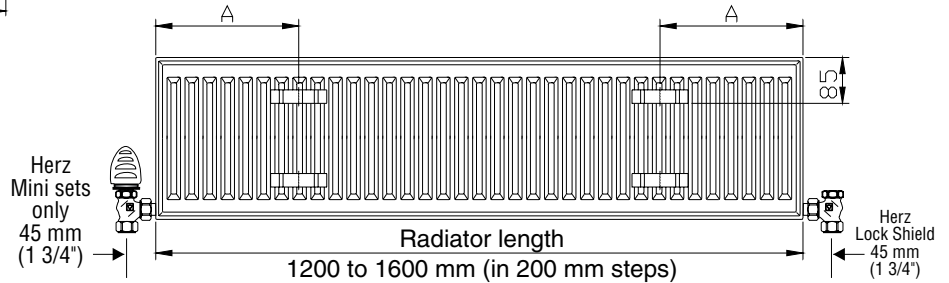
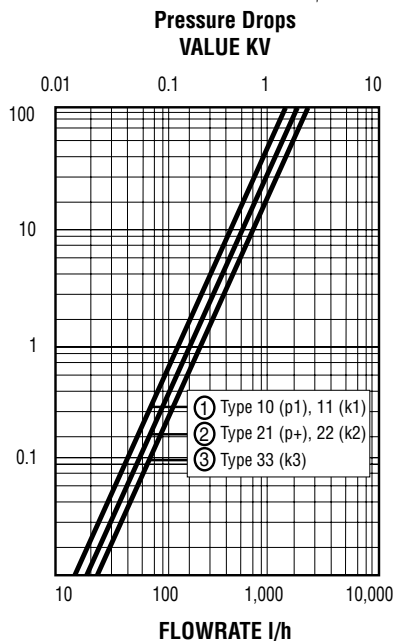
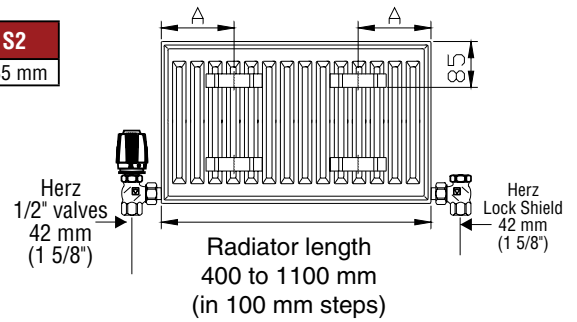


To determine the output of the radiator for average water temperatures other than 180 °F and air temperature of 70 °F apply the correction factor below and multiply by the quoted output of the radiator.

Room Air Temperature (°F)	Average Water Temperature (°F)									
	110	120	130	140	150	160	170	180	190	200
	FACTOR									
80	0.207	0.293	0.384	0.477	0.590	0.690	0.800	0.910	1.026	1.141
75	0.25	0.338	0.430	0.533	0.640	0.745	0.855	0.968	1.083	1.198
72	0.271	0.361	0.453	0.561	0.665	0.772	0.882	0.997	1.112	1.226
70	0.293	0.384	0.477	0.590	0.690	0.800	0.910	1.026	1.141	1.255
65	0.338	0.430	0.533	0.640	0.745	0.855	0.968	1.083	1.198	1.316



A	S1	S2
	150 mm	135 mm



North American Distribution: 9-740 Huronia Road, Barrie, Ontario, Canada L4N 6C6 Tel: 1-888-719-9913 Fax: 1-888-903-3340

EXPRESS RADIANT LTD. PURSUE A POLICY OF CONTINUING IMPROVEMENT IN DESIGN AND PERFORMANCE OF THE PRODUCTS WE SELL. THE RIGHT IS THEREFORE RESERVED TO VARY SPECIFICATIONS AND PRICING WITHOUT NOTICE.